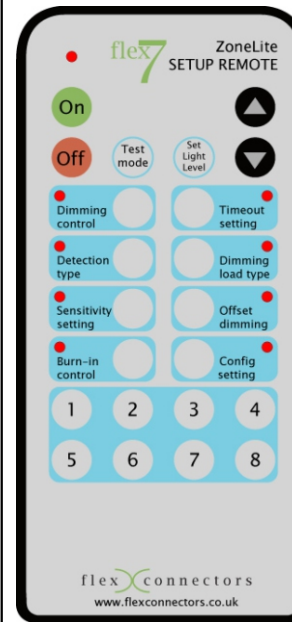
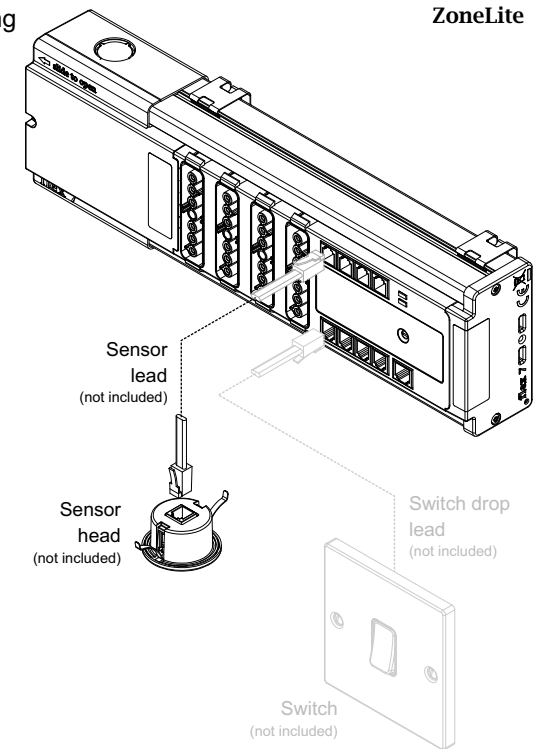


FZL/RC setup remote

The **fzl/rc** remote control is used for setting up any of the ZoneLite controller units.

Many parameters on the ZoneLite can be adjusted using the **fzl/rc** remote control. The parameters that are available for adjustment will depend on your chosen ZoneLite configuration. ZoneLite configurations are listed in the ZoneLite configuration booklets. (Booklet number 22/070)



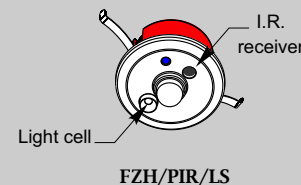
- Dimming control,
- Timeout period setting,
- Sensor detection type,
- Dimming load type, (DSI or DALI)
- PIR sensitivity setting,
- Dimming offset amount,
- Configuration settings

Technical

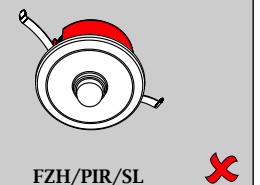
Power supply: 2x AAA batteries
 Power consumption: 50mA at IR transmit
 Case material: ABS
 Operating range: 5°C to 40°C
 Frequency: 38KHz (Infrared)
 IP Rating: IP20
 Compliance: RoHS, Lead free

Required components for User control:

Before starting ensure your sensor head is the fzh/pir/lsl with the red outer casing. Check the sensor head is powered by observing the blue LED flashing whenever occupancy is detected.



fzh/pir/sl does not require setting up, it inherits occupancy *time-out* period from its parent fzh/pir/lsl or fzh/pir sensor head connected in parallel.

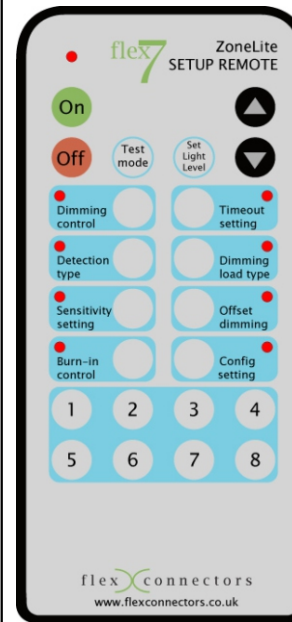
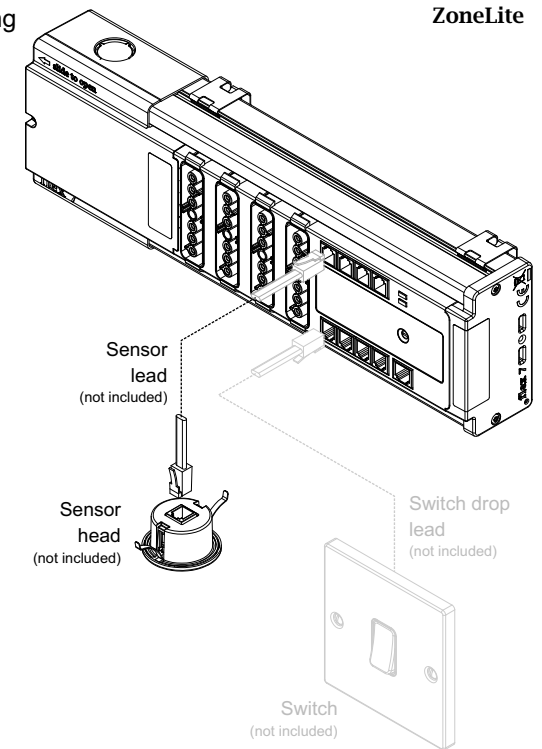


flex7 Limited, Ruscombe Business Park, Ruscombe Lane, Twyford, Berkshire RG10 9JW, UK
 Telephone: +44 (0) 20 8580 1066 Fax: +44 (0) 20 8580 1062
 Website: www.flex7.co.uk Email: info@flex7.co.uk
 Leaflet reference number: 22/074 issue 3 15/01/2025

FZL/RC setup remote

The **fzl/rc** remote control is used for setting up any of the ZoneLite controller units.

Many parameters on the ZoneLite can be adjusted using the **fzl/rc** remote control. The parameters that are available for adjustment will depend on your chosen ZoneLite configuration. ZoneLite configurations are listed in the ZoneLite configuration booklets. (Booklet number 22/070)



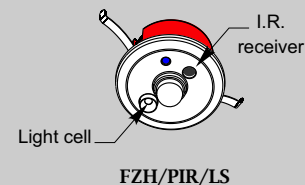
- Dimming control,
- Timeout period setting,
- Sensor detection type,
- Dimming load type, (DSI or DALI)
- PIR sensitivity setting,
- Dimming offset amount,
- Configuration settings

Technical

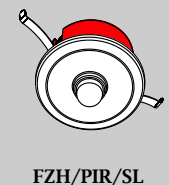
Power supply: 2x AAA batteries
 Power consumption: 50mA at IR transmit
 Case material: ABS
 Operating range: 5°C to 40°C
 Frequency: 38KHz (Infrared)
 IP Rating: IP20
 Compliance: RoHS, Lead free

Required components for User control:

Before starting ensure your sensor head is the fzh/pir/lsl with the red outer casing. Check the sensor head is powered by observing the blue LED flashing whenever occupancy is detected.



fzh/pir/sl does not require setting up, it inherits occupancy *time-out* period from its parent fzh/pir/lsl or fzh/pir sensor head connected in parallel.



flex7 Limited, Ruscombe Business Park, Ruscombe Lane, Twyford, Berkshire RG10 9JW, UK
 Telephone: +44 (0) 20 8580 1066 Fax: +44 (0) 20 8580 1062
 Website: www.flex7.co.uk Email: info@flex7.co.uk
 Leaflet reference number: 22/074 issue 3 15/01/2025