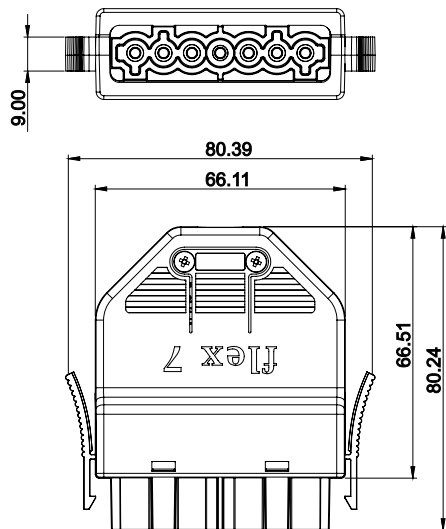
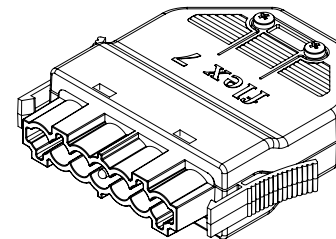


Dimensions



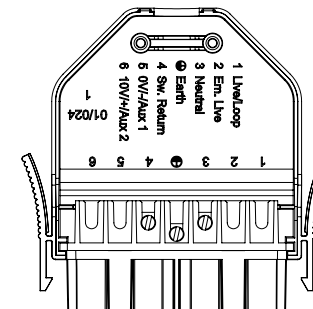
Note: All measurements are shown in millimetres

fp - Plugs



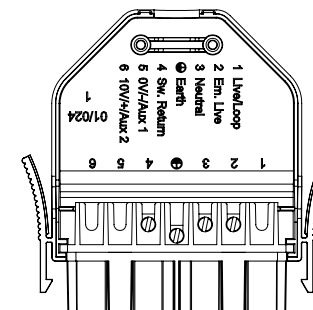
Wiring information

Standard 3-pin flex7 plug



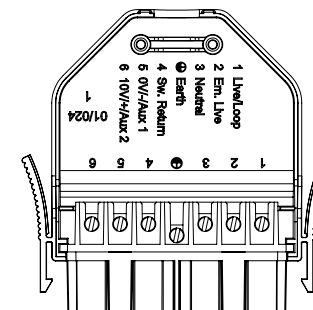
Terminal	Connections
1
2
3 Neutral
⊕ Earth
4 Sw. Return
5
6

Standard 4-pin flex7 plug



Terminal	Connections
1
2 Em. Live
3 Neutral
⊕ Earth
4 Sw. Return
5
6

Standard 7-pin flex7 plug



Terminal	Connections
1 Live / Loop
2 Em. Live
3 Neutral
⊕ Earth
4 Sw. Return
5 0V/ - /Aux 1
6 10V/ + / Aux 2

Supply Voltage :Nominal 230V~ 16A

Material

PA6 UL94 V-0 rated, Non-halogen

Manufactured in Black, Red, White or Grey.

Operating range :-10°C to 40°C

IP Rating :IP20

Max cord grip :11.50mmØ

Compliance :2014/35/EU

Terminals accept single conductors from 0.50mm² to 4.00mm²



flex7 Limited, Ruscombe Business Park, Ruscombe Lane, Twyford, Berkshire RG10 9JW, UK

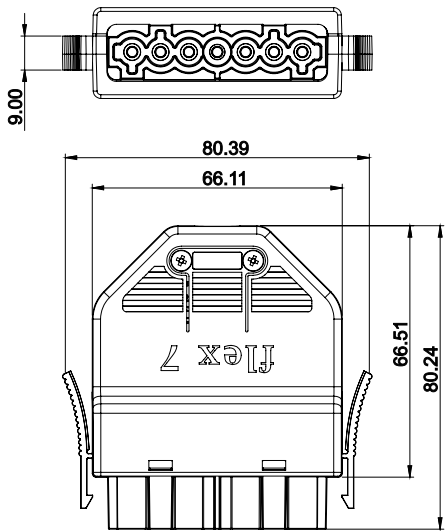
Telephone: +44 (0) 20 8580 1066 Fax: +44 (0) 20 8580 1062

Website: www.flex7.co.uk Email: info@flex7.co.uk

Leaflet reference number: 22/063 issue 3 19/02/2025

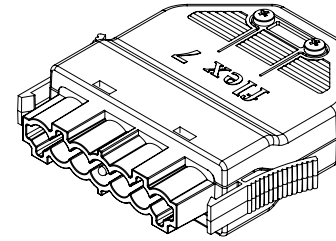


Dimensions



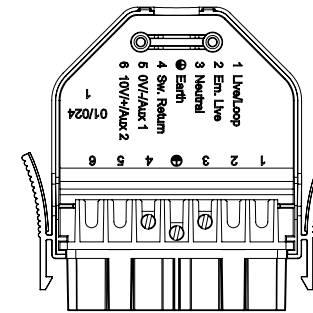
Note: All measurements are shown in millimetres

fp - Plugs



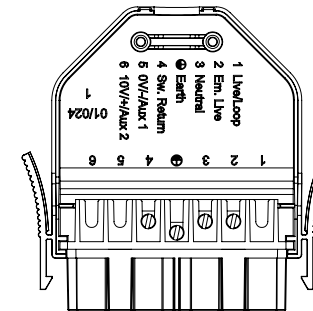
Wiring information

Standard 3-pin flex7 plug



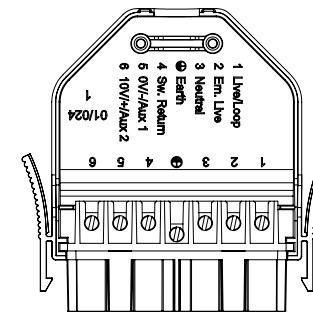
Terminal	Connections
1
2
3 Neutral
⊕ Earth
4 Sw. Return
5
6

Standard 4-pin flex7 plug



Terminal	Connections
1
2 Em. Live
3 Neutral
⊕ Earth
4 Sw. Return
5
6

Standard 7-pin flex7 plug



Terminal	Connections
1 Live / Loop
2 Em. Live
3 Neutral
⊕ Earth
4 Sw. Return
5 0V/ - /Aux 1
6 10V/ + / Aux 2

Supply Voltage :Nominal 230V~ 16A

Material

PA6 UL94 V-0 rated, Non-halogen

Manufactured in Black, Red, White or Grey.

Operating range :-10°C to 40°C

IP Rating :IP20

Max cord grip :11.50mmØ

Compliance :2014/35/EU

Terminals accept single conductors from 0.50mm² to 4.00mm²



flex7 Limited, Ruscombe Business Park, Ruscombe Lane, Twyford, Berkshire RG10 9JW, UK

Telephone: +44 (0) 20 8580 1066 Fax: +44 (0) 20 8580 1062

Website: www.flex7.co.uk Email: info@flex7.co.uk

Leaflet reference number: 22/063 issue 2 07/02/2025

