

# PROTA INSTALLATION INSTRUCTIONS

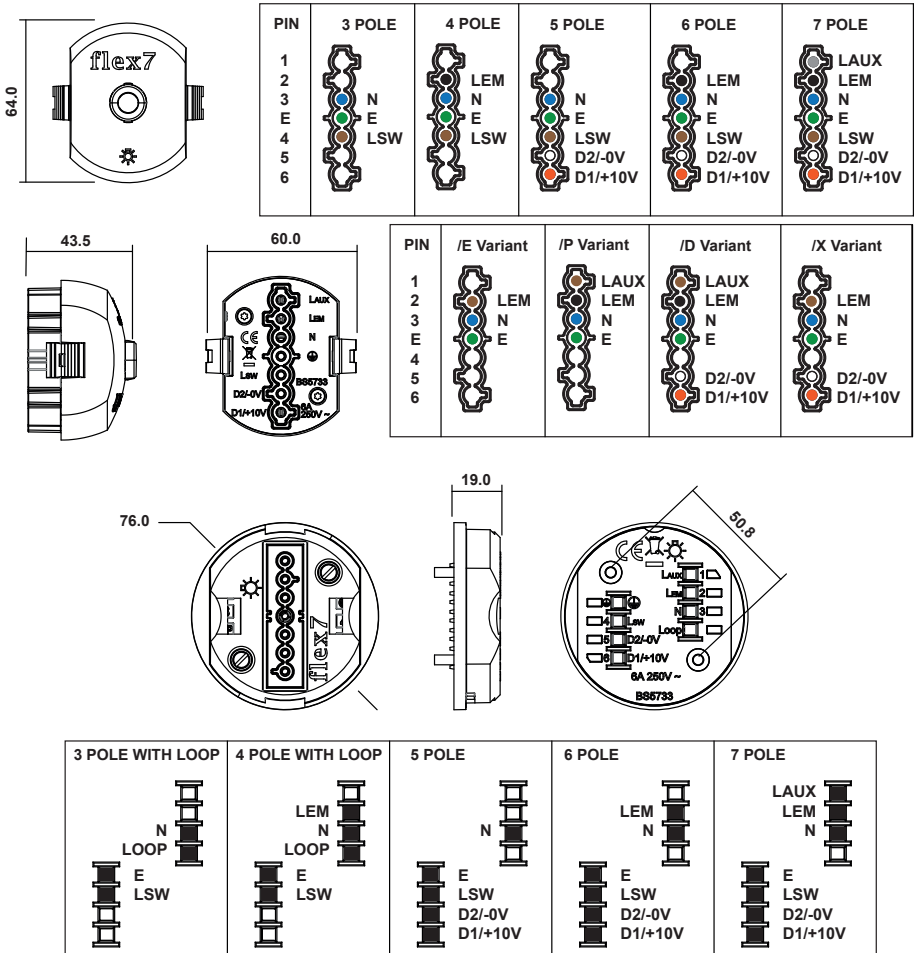
Thank you for choosing the Prota decorative plug-in-ceiling rose from flex7.

Prota plugs are supplied prewired with 3,4,5,6 or 7 core flexible cable. Unwired plugs are not available.

Prota sockets are supplied with 3,4,5,6 or 7 contacts.

Refer to the diagrams below for plug conductor and socket terminal configurations.

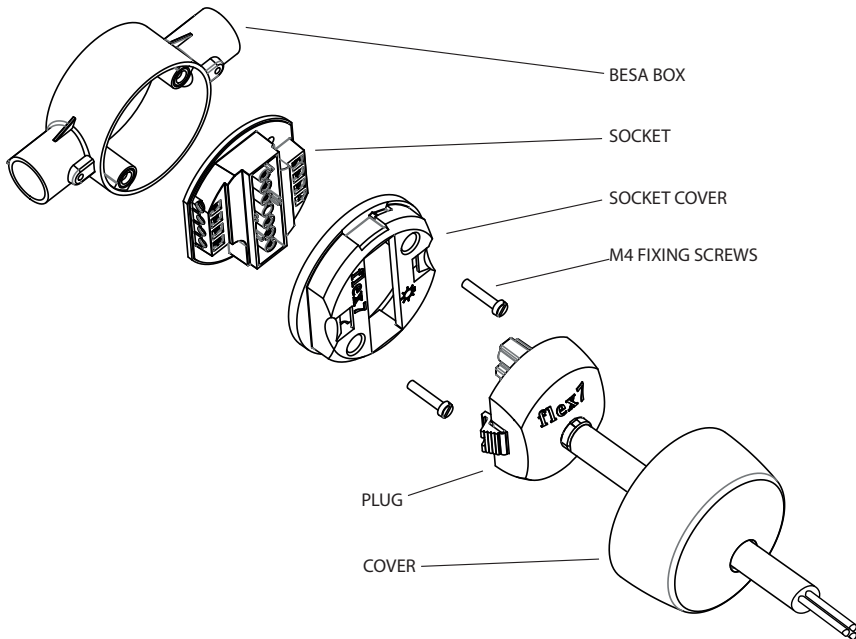
Please read these instructions carefully before installing the plug and socket and leave them with the end user for future reference.



THE PROTA PLUG-IN-CEILING ROSE MUST BE INSTALLED BY A QUALIFIED ELECTRICIAN IN ACCORDANCE WITH LOCAL WIRING REGULATIONS.

ISOLATE SUPPLY BEFORE ACCESSING TERMINALS OR ANY POTENTIALLY LIVE PART.

- The Prota socket must be securely fixed to a suitable surface (wall or ceiling) via a BESA box. Two captive M4 screws are supplied for fixing the socket to the BESA box.
- Prota socket terminals can easily accept 5 x 1.50mm conductors.
- Connect fixed wiring to socket terminals. Secure socket to BESA box with socket cover and M4 fixing screws.
- Insert Prota plug into socket (note keyed interface) and push until side latches lock into place. **Do not energise the circuit until the free end of the lead is correctly terminated to the luminaire.**
- To remove plug from socket, squeeze both side latches simultaneously and pull.
- Secure the decorative cover with a clockwise quarter twist. To release, twist anticlockwise.



## TECHNICAL

Rating: 250V 50Hz 6A

IP Rating: IPX2

Compliance: LVD 2014/35/EU

BS 5733



flex7 Limited, Ruscombe Business Park, Ruscombe Lane, Twyford, Berkshire RG10 9LR, UK

Telephone: +44 (0) 20 8580 1066 Fax: +44 (0) 20 8580 1062

Website: [www.flex7.co.uk](http://www.flex7.co.uk) Email: [info@flex7.co.uk](mailto:info@flex7.co.uk)

Leaflet reference number: PD001 651 issue D 31/01/2019

