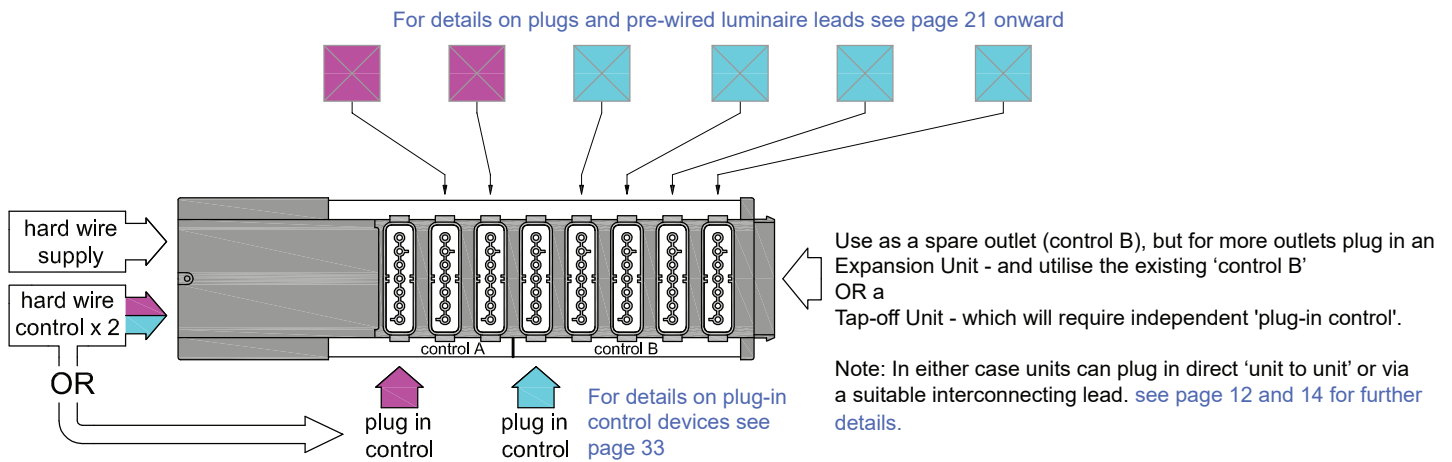


Dual Control Starter Units

The Dual Control Starter Unit makes it possible to independently control two groups of luminaires within one unit. The desired control split point is factory configured to order. In common with all units in the eZeBox range the type of control can be simple on/off or dimmable, and for ease of installation we strongly recommend selecting the appropriate control from our extensive range of plug-in control devices. If using third party control products is a requirement refer to page 54 for a range of suitable plug & lead sets, or alternatively they can be hard-wired into the input terminals provided. Reserve one outlet for each control when using plug-in controls.



Use for areas requiring two groups of luminaires to be controlled independently. Note that if required, control terminals (4, 5 & 6) for A can be linked with those for B on site (using suitable sized conductors). This will consolidate the unit to single control.



Key Features

Outlets rated 16A 230V~
Total system rating 16A

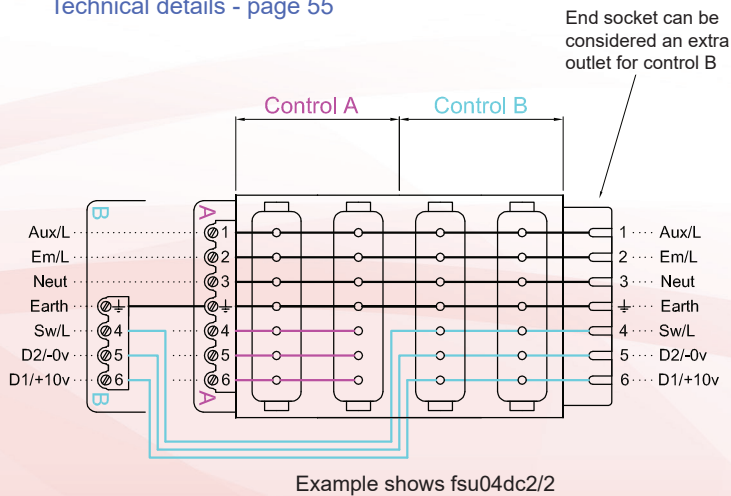
Large capacity input terminals
can accept 3x2.5mm², 2x4mm²
or 1x6mm² conductors

All outlets are 7-pole. Ideal for
simple on/off or for dimming
control.

End outlet - use as a spare or
to plug in additional units.

All units come complete
with the unique snap on/off
single point fixing brackets

Technical details - page 55



Ordering flex7 eZeBox Dual Control Starter Units

No. of outlets (excludes end socket)	Control A/Control B
fsu 02 dc	1/1
fsu 04 dc	2/2 3/1
fsu 06 dc	3/3 4/2 5/1
fsu 08 dc	4/4 5/3 6/2 7/1
fsu 10 dc	5/5 6/4 7/3 8/2 9/1
fsu 12 dc	6/6 7/5 8/4 9/3 10/2 11/1