

# Supply Tap-off Leads

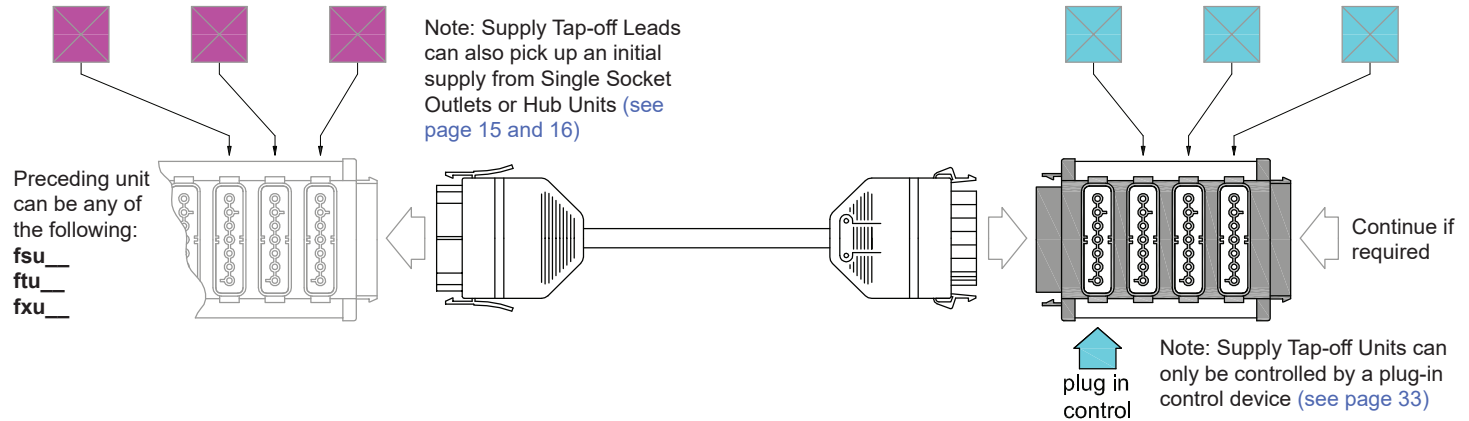
Where a Tap-off Unit is required to be remote from its preceding unit, plug them together via a Supply Tap-off Lead. This combination provides the perfect solution for distributing one circuit supply over perhaps several rooms or areas, thus saving valuable installation time, as only the original source unit requires fixed wiring termination.

Using a Supply Tap-off Lead also opens up the possibility of connecting to sources other than Starter Units. For example: Using a Single Socket Outlet (see page 15) as the initial source simplifies and standardizes the first fix leaving complete flexibility to choose the correct plug-in unit/s at the second fix.

Alternatively, and for the complete interconnection system, use a Hub Unit which offers 6 independent supplies from one unit (see page 16).



For details on plugs and pre-wired luminaire leads see page 21 onwards



Supply Tap-off Leads are available in 3 or 4 core depending on whether an emergency test is required locally on each unit, or globally across one unit to the next

**4-core**

Use where the emergency test is common to all interconnected units.

**3-core**

Use only where each interconnected unit has its own plug-in emergency test facility.

\* Plastic flexible conduit is 16mmØ black. It contains the appropriate number of loose single cores in LSHF at the csa indicated by the part number.

**Ordering flex7 eZeBox Tap-off Leads**

<b>150</b>	1.50mm <sup>2</sup>	<b>lshf</b>	LSHF cable
<b>250</b>	2.50mm <sup>2</sup>	<b>fc</b>	Plastic flexible conduit*

<b>4</b>	4-core	<b>0.5, 1, 2, 3, 4, 5, 7, 10</b> (length in metres)
<b>3</b>	3-core	

ft [ ] [ ] [ ] [ ] /b

**Note:** Choice of cable csa, cable length and cable calculations are the sole responsibility of the installer.