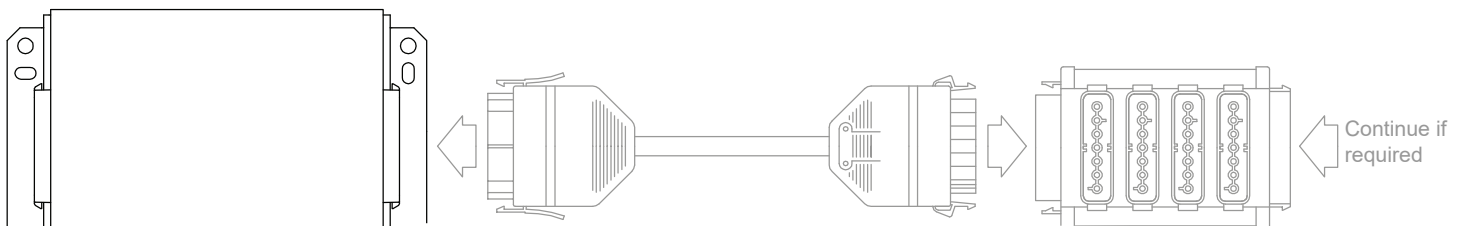


Hub Units

To achieve further savings in installation time and for maximum flexibility why not choose a Hub Unit to feed up to to 6 separate runs of interconnected eZeBox Unit/s. A Hub Unit can be considered as 6 Single Socket Outlets (see previous page) that, for convenience have been housed in one enclosure. This allows the installer to consolidate the supply wiring to just one multi-core from the lighting distribution board, with the added benefit that terminating the supplies can now be carried out in one place.

Internal separation of the 6 circuits is such that mixed phases can safely be supplied and as they employ the same 16A 7-pole type outlets, Hub Units are equally at home distributing just the lighting supply or the lighting supply + control.



Supply cable entry

Where lighting control is required locally

Connect up to 6 x supply circuits to the Hub Unit. Plug in as required up to 6 individual runs of interconnected Supply Tap-off Units and Supply Tap-off Leads. Control luminaires by plugging in an appropriate plug-in control device to each and every Supply Tap-off Unit.

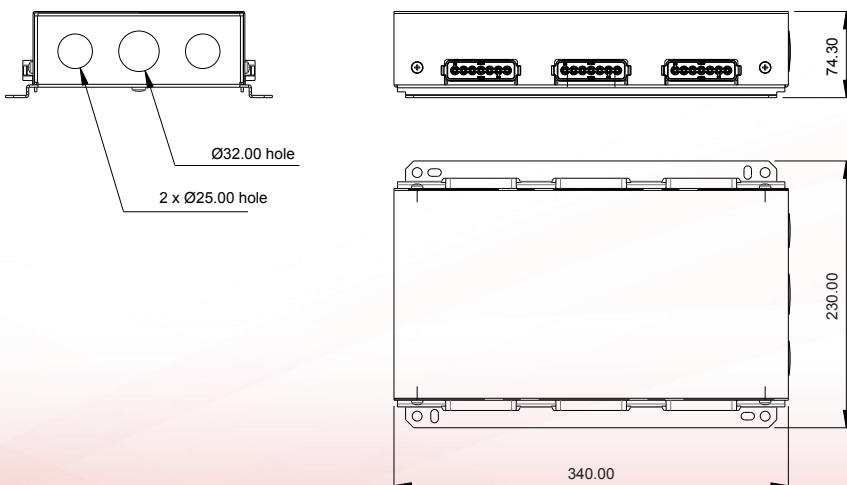
Where lighting control is required centrally

Connect up to 6 x supply circuits plus the relevant control lines to the Hub Unit. Plug in as required up to 6 individual runs of interconnected Expansion Units and Expansion Leads. Lighting control will be central, and the end users responsibility. Typical applications: Simple centralised mains switching or centralised intelligent control i.e. DALI network.

For guidance on choosing the correct interconnecting leads and units see pages 11 to 14

For information on wiring to individual outlets within the Hub Unit refer to Single Socket Outlets (opposite page)

Technical details - page 55



Key Features

- Each outlet rated 230V~ 16A
- Terminals accept 1 x 10.00mm², 2 x 4.00mm² or 3 x 2.50mm² conductors
- 2-holes 25mmØ and 1-hole 32mmØ for cable entry
- Simple to wire, with easy access for power screwdrivers.

Ordering flex7 Hub Units



fhu06

6-way Hub Unit

Hub Units are only supplied unwired