

Dual Supply Starter Units

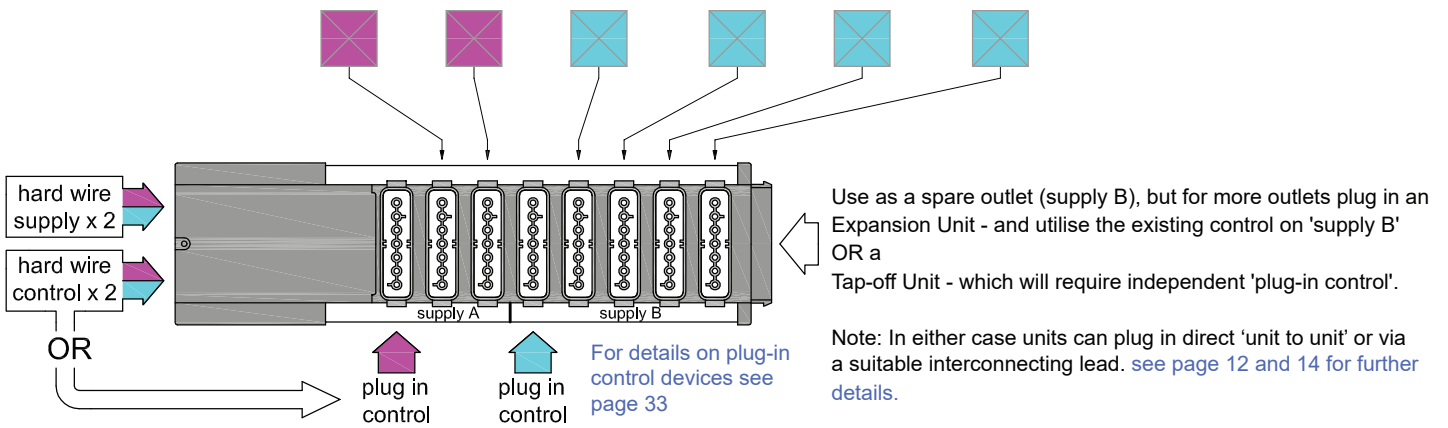
The Dual Supply Starter Unit makes it possible to independently control two groups of luminaires, each separately supplied by its own protective device at the distribution board. The desired supply split point is factory configured to order. In common with all units in the eZeBox range the type of control can be simple on/off or dimmable, and for ease of installation we strongly recommend selecting the appropriate control from our extensive range of plug-in control devices. If using third party control products is a requirement refer to page 54 for a range of suitable plug & lead sets, or alternatively they can be hard-wired into the input terminals provided. Reserve one outlet for each control when using plug-in controls.



Use for installations requiring an essential and a non-essential supply such as hospitals, or for load shedding applications.

Note: Supplies must be on the same phase.

For details on plugs and pre-wired luminaire leads see page 21 onward



Note: If required it is possible to 'PELV link' between plug-in control devices (Control Plus only) to consolidate the two supplies to one common control. Contact Flex Connectors for more details.

Key Features

Outlets rated 16A 230V~. Total system rating 16A

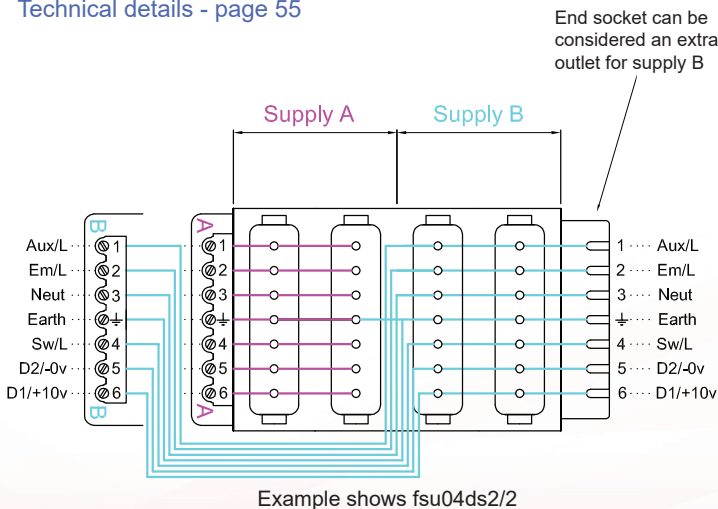
Large capacity input terminals can accept 3x2.5mm², 2x4mm² or 1x6mm² conductors

All outlets are 7-pole. Ideal for simple on/off or for dimming control.

End outlet - use as a spare or to plug in additional units.

All units come complete with the unique snap on/off single point fixing brackets

Technical details - page 55



Ordering flex7 eZeBox Dual Supply Starter Units

No. of outlets (excludes end socket)	Circuit A/Circuit B
fsu 02 ds	1/1
fsu 04 ds	2/2 3/1
fsu 06 ds	3/3 4/2 5/1
fsu 08 ds	4/4 5/3 6/2 7/1
fsu 10 ds	5/5 6/4 7/3 8/2 9/1
fsu 12 ds	6/6 7/5 8/4 9/3 10/2 11/1