



# MESH7



Wireless Lighting Control  
from flex7

# Contents

Introduction	3
MESH7 Hub Unit	6
MESH7 4G Network Interface Unit	6
MESH7 Control Module	7
MESH7 Flush Mount PIR Sensor Heads	8
MESH7 Surface Mount /Tamper Resistant PIR Sensor Heads	8
MESH7 IP67 PIR Sensor Heads	9
MESH7 Switches	10
MESH7 Scene Recall Plates	13
MESH7 8 Channel Input Module	15
MESH7 4 Channel Output Module, Volt Free	15
flex7 Lighting Distribution Boxes	17
flex7 Expansion Leads	22
flex7 Supply Tap-off Leads	22
flex7 Luminaire Leads	23
flex7 Extender and Double Extender Leads	26
flex7 Control Link Leads	30
flex7 Y Adaptors	30
Technical Information	31

# #MESH7

**Wireless Lighting Control from flex7.** With over 20 years of experience in the lighting controls industry we have developed a strong idea of our customers' needs. Our focus is on developing high quality, user friendly products. MESH7 is the latest addition to our range of plug-together lighting connection and control products. It blends simple plugin connection and wireless control to create a system that is incredibly easy to install. Complicated installations are consigned to history, and future changes to control requirements are made via the MESH7 user interface.



MESH7 is the ideal solution for commercial installations with respect to performance, security and future-proofing.



## MESH7®

MESH7 is a wireless lighting control system that uses mesh technology to configure and control luminaires. Connect up to 25 DALI luminaires and/or non-dimmable luminaires to a single plug-in control module, in conjunction with a host of plug-in control devices; sensors; switches; scene recall plates etc. Whether you want to control a single room or a whole building, MESH7 is effortlessly scalable. MESH7 wireless lighting control offers a huge range of control possibilities including presence/absence detection, daylight linking, manual dimming & scene recall, set back and secondary presence and light level control, corridor hold, first man in, last man out, emergency lighting test functions, integration with 3rd party devices e.g. HVAC, alarm systems and many more. Being a mesh based system effectively allows any luminaire to be controlled by any control device anywhere on the system; no wired connection between the two is required.

## Secure data transfer

MESH7 employs end-to-end encryption to all messages, so ensuring secure data transfer. In addition, our dedicated 4G wireless modem provides the internet access your MESH7 installation will need to receive firmware updates and remote access. This will keep the MESH7 network completely separate from all other IT infrastructure that may be present.

## The technology

We chose to develop our wireless system around an OpenThread-based topology so MESH7 would offer more and perform better than comparable systems. It has a low latency, meaning that transfer of data is almost instantaneous, and being IPv6 has 340 trillion, trillion, trillion unique addresses at its disposal. A MESH7 network has no single point of failure and has the ability to selfheal. All in all OpenThread software is the ideal mesh platform for commercial installations with respect to performance, security and future-proofing.

## DALI-2 Certified

MESH7 control modules are DALI-2 certified and as such will work seamlessly with other DALI-2 certified luminaires/drivers. The bi-directional nature of the DALI protocol allows luminaire/driver status to be reported back as well as control instructions received.

## Features and Benefits

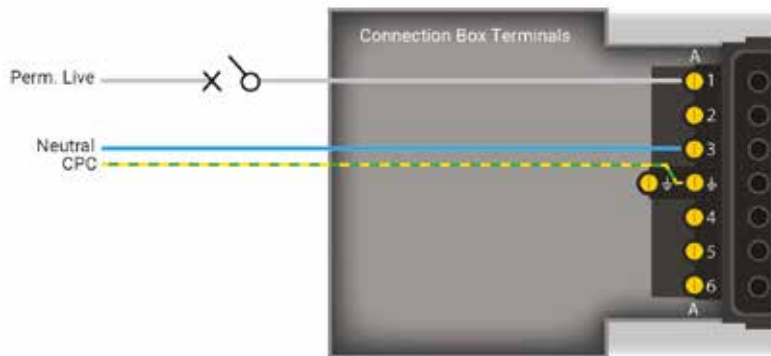
- Secure end-to-end data encryption
- Developed on known and trusted technologies; flex7 connection; DALI-2 lighting control; OpenThread based software
- Simple installation – everything plugs in
- One type of control module suits every application
- DALI and non-dimming luminaires share the same control module
- Create specific groups of luminaires and control devices regardless of where they are in the building
- Infinitely flexible
- Simple to retrofit



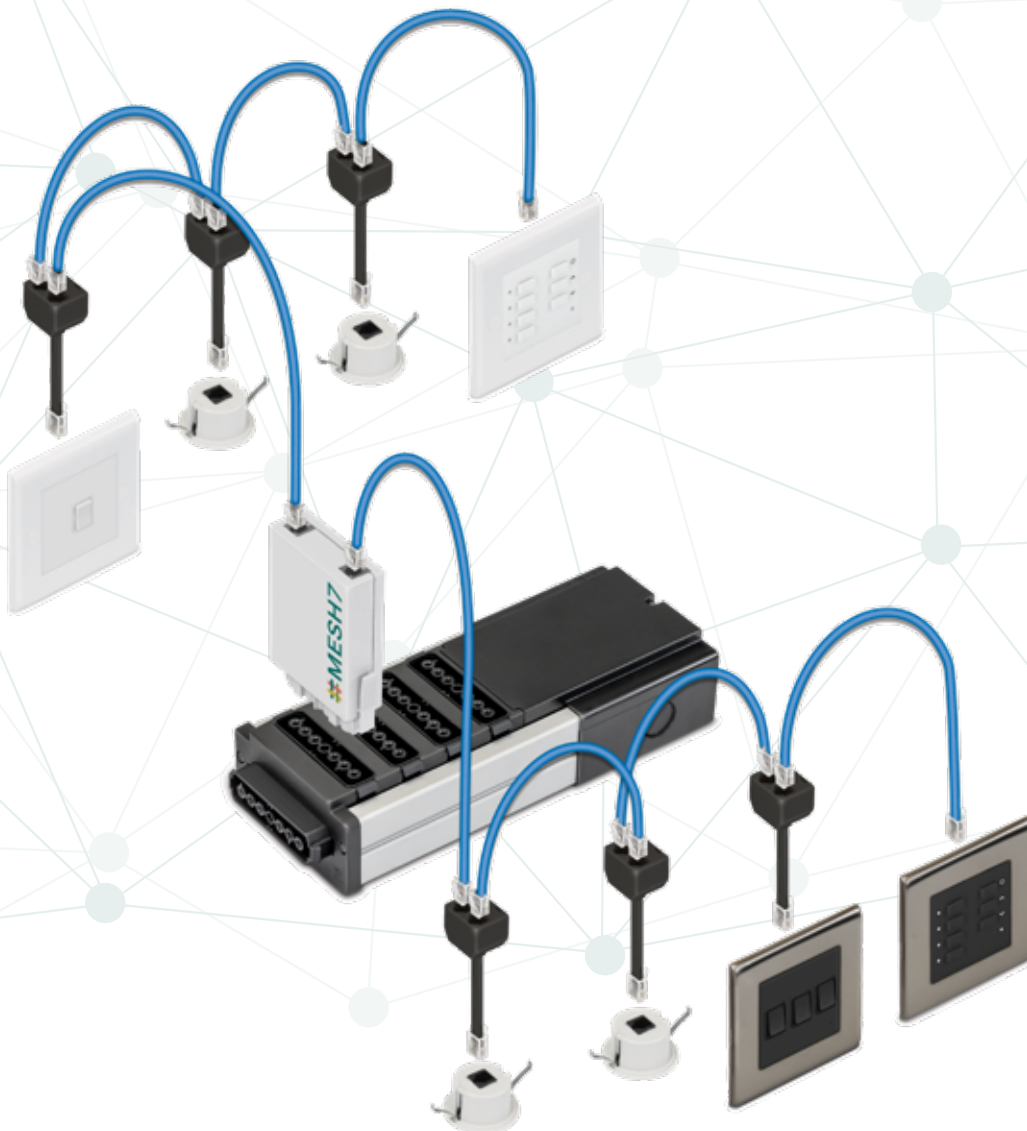
## Simple Plug-together Installation

When it comes to installing MESH7 the process really couldn't be simpler. Starting with a standard flex7 Lighting Distribution Box you simply need to connect the Permanent Live, Neutral and Earth. Once that's done the rest of the system just plugs together.

### Connect the Permanent Live, Neutral and Earth:



### Everything else simply plugs in:



## MESH7 Hub Unit

The MESH7 Hub Unit can be likened to the WiFi router found in most homes. It's the central point of the MESH7 System, responsible for handling the thousands of messages that traverse the network every second as well providing the end user with the means to monitor device and system status via the MESH7 Graphical User Interface (GUI).

For complete flexibility, the MESH7 Hub Unit can be powered from the mains adaptor it's supplied with, or POE (Power Over Ethernet) or a suitable battery pack.



### MESH7 Hub Unit

DESCRIPTION	PART NO.	PRICE
MESH7 Hub Unit	MWH	£995.37

## MESH7 4G Network Interface Unit

The MESH7 4G Network Interface Unit provides a dedicated internet connection for the network that's completely separate to the end user's IT network. This isolated connection means that any concerns over security risks of sharing a network are negated.

Connection to the internet allows firmware updates to be downloaded and remote access for fault and maintenance diagnosis.

\* Connecting the MESH7 System to the internet in any other way than through a MESH7 4G Network Interface Unit is done so solely at the users own risk



### MESH7 4G Network Interface Unit

DESCRIPTION	PART NO.	PRICE
MESH7 4G Network Interface Unit	M4GM	£721.20

# MESH7 Control Module

The MESH7 Control Module is the device that receives, transmits and passes on the messages that ensure a building's luminaires operate as intended. It's integral to maintaining the network's robustness and can even reroute messages if an unexpected event blocks the original path.

The DALI-2 certified plugin module provides all the functionality any space may require and is capable of simultaneously controlling up to 25 x DALI drivers / luminaires plus fixed output loads. Routine emergency luminaire tests can also be scheduled and carried out by virtue of the second onboard relay.



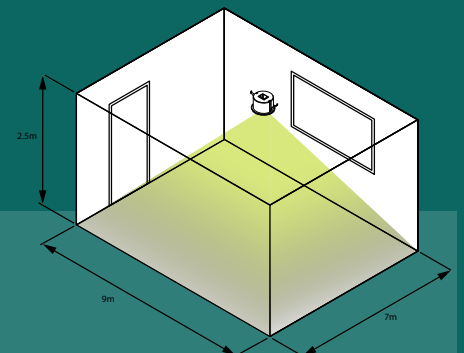
## MESH7 Control Module

DESCRIPTION	PART NO.	PRICE
MESH7 Control Module	MCM/DFE	£165.81

# MESH7 PIR Sensor Heads

All MESH7 PIR Sensor Heads incorporate RJ connectivity, meaning no on-site termination is required -they simply plug in. A Control Link Lead is required to connect the PIR sensor head to a MESH7 Control Module.

Combine MESH7 PIR Sensor Heads with MESH7 Switches or Scene Recall Plates for enhanced control applications including absence, override or manual regulating etc.



PIR (Passive Infrared) sensors detect moving bodies of heat that are different (warmer or cooler) to the background / ambient temperature. The MESH7 PIR detection pattern is broadly rectangular at 9m x 7m when installed at a height of 2.5m.

## MESH7 Flush Mount PIR Sensor Heads

Use for Presence, Absence, DALI Regulating / Daylight Harvesting.

Timeout options include primary, secondary, setback, and tertiary.

Requires a MESH7 Control Module and Peripheral Control Link Lead to operate.



### MESH7 Flush Mount PIR Sensor Head

DESCRIPTION	PART NO.	PRICE
MESH7 flush mount PIR sensor head, white	MPIR/C/W	£69.82
MESH7 flush mount PIR sensor head, black	MPIR/C/B	£69.82

## MESH7 Surface Mount / Tamper Resistant PIR Sensor Heads

The surface mounted PIR can be fixed directly to a standard BESA box with 50.8mm fixing centres using the M4 screws supplied. Alternatively, replace with suitable M4 security screws where resilience to unsolicited attempts to remove or tamper is paramount; publicly accessible areas, prisons; secure units etc. A light sensor for daylight harvesting applications and LED for visual feedback are standard.



### MESH7 Tamper Resistant PIR Head

- Use for Presence, Absence, DALI Regulating / Daylight Harvesting.
- Timeout options include primary, secondary, setback, and tertiary.
- Requires a MESH7 Control Module and Peripheral Control Link Lead to operate.

DESCRIPTION	PART NO.	PRICE
MESH7 Tamper-resistant PIR occupancy sensor head, white	MPIR/TR/C/W	£118.62
MESH7 Tamper-resistant PIR occupancy sensor head, black	MPIR/TR/C/B	£118.62

# MESH7 IP67 Flush Mount PIR Sensor Heads

The flush mounted IP67 PIR requires a 34mm Ø hole and with its front fascia measuring only 40mm Ø, offers a discrete option for luminaire control where protection from moisture ingress is needed. A light sensor for daylight harvesting applications and LED for visual feedback are standard. The IP67 PIR is supplied with a 5m factory fitted Control Lead ready to be plugged into the MESH7 Control Module.

\* MESH7 Control Module is IP2X and must be installed in a suitably dry location



## MESH7 IP67 PIR Sensor Head

- Use for Presence, Absence, DALI Regulating / Daylight Harvesting.
- Timeout options include primary, secondary, setback, and tertiary.
- Supplied complete with factory connected 5 metre Peripheral Control Link Lead.
- Requires a MESH7 Control Module to operate.

DESCRIPTION	PART NO.	PRICE
MESH7 IP67 PIR occupancy sensor head, white	MPIR/66/C/W	£131.75
MESH7 IP67 PIR occupancy sensor head, black	MPIR/66/C/B	£131.75

## MESH7 Switches

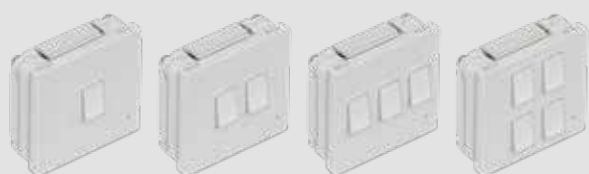
All MESH7 Switches uniquely incorporate RJ connectivity, meaning no on-site termination is required – they simply plug in. A Control Link Lead is required to connect the switch to a MESH7 Control Module.

Switches can be supplied with a decorative fascia, or as a module only for use with any manufacturer's 50mm x 50mm Euromod type frames.

Combine MESH7 Switches with MESH7 PIR Sensor Heads for enhanced control applications including absence, override or manual regulating etc.



## White Switch Modules



### 1-Position Retractive (pulse down)

- Use where a single switch action per rocker is required.
- Use if you wish to source your own decorative fascia.
- Clips into 50mm x 50mm Euromod style fascia.

DESCRIPTION	1-POSITION RETRACTIVE SWITCH	PRICE
MESH7 1-Gang switch module, white	MSW/M/11/W	£34.72
MESH7 2-Gang switch module, white	MSW/M/21/W	£37.89
MESH7 3-Gang switch module, white	MSW/M/31/W	£42.70
MESH7 4-Gang switch module, white	MSW/M/41/W	£49.40



### 2-Position Retractive (pulse up / pulse down)

- Use where 2 switch actions per rocker are required.
- Use if you wish to source your own decorative fascia.
- Clips into 50mm x 50mm Euromod style fascia.

DESCRIPTION	2-POSITION RETRACTIVE SWITCH	PRICE
MESH7 1-Gang switch module, white	MSW/M/12/W	£34.72
MESH7 2-Gang switch module, white	MSW/M/22/W	£37.89
MESH7 3-Gang switch module, white	MSW/M/32/W	£42.70
MESH7 4-Gang switch module, white	MSW/M/42/W	£49.40

# Black Switch Modules



## 1-Position Retractive (pulse down)

- Use where a single switch action per rocker is required.
- Use if you wish to source your own decorative fascia.
- Clips into 50mm x 50mm Euromod style fascia.

DESCRIPTION	1-POSITION RETRACTIVE SWITCH	PRICE
MESH7 1-Gang switch module, black	MSW/M/11/B	£34.72
MESH7 2-Gang switch module, black	MSW/M/21/B	£37.89
MESH7 3-Gang switch module, black	MSW/M/31/B	£42.70
MESH7 4-Gang switch module, black	MSW/M/41/B	£49.40



## 2-Position Retractive (pulse up / pulse down)

- Use where 2 switch actions per rocker are required.
- Use if you wish to source your own decorative fascia.
- Clips into 50mm x 50mm Euromod style fascia.

DESCRIPTION	2-POSITION RETRACTIVE SWITCH	PRICE
MESH7 1-Gang switch module, black	MSW/M/12/B	£34.72
MESH7 2-Gang switch module, black	MSW/M/22/B	£37.89
MESH7 3-Gang switch module, black	MSW/M/32/B	£42.70
MESH7 4-Gang switch module, black	MSW/M/42/B	£49.40

# White Switch Modules with Decorative Fascia



## 1-Position Retractive (pulse down)

- Use where a single switch action per rocker is required.
- Switch module complete with white decorative fascia.

DESCRIPTION	1-POSITION RETRACTIVE SWITCH	PRICE
MESH7 1-Gang switch module, white + fascia, white	MSW/K/11/W/W	£40.67
MESH7 2-Gang switch module, white + fascia, white	MSW/K/21/W/W	£43.84
MESH7 3-Gang switch module, white + fascia, white	MSW/K/31/W/W	£48.65
MESH7 4-Gang switch module, white + fascia, white	MSW/K/41/W/W	£55.55



## 2-Position Retractive (pulse up / pulse down)

- Use where 2 switch actions per rocker are required.
- Switch module complete with white decorative fascia.

DESCRIPTION	2-POSITION RETRACTIVE SWITCH	PRICE
MESH7 1-Gang switch module, white + fascia, white	MSW/K/12/W/W	£40.67
MESH7 2-Gang switch module, white + fascia, white	MSW/K/22/W/W	£43.84
MESH7 3-Gang switch module, white + fascia, white	MSW/K/32/W/W	£48.65
MESH7 4-Gang switch module, white + fascia, white	MSW/K/42/W/W	£55.55

## Black Switch Modules with Decorative Fascia



### 1-Position Retractive (pulse down)

- Use where a single switch action per rocker is required.
- Switch module complete with satin steel decorative fascia.

DESCRIPTION	1-POSITION RETRACTIVE SWITCH	PRICE
MESH7 1-Gang switch module, black + fascia, satin steel	MSW/K/11/B/SS	£64.21
MESH7 2-Gang switch module, black + fascia, satin steel	MSW/K/21/B/SS	£67.38
MESH7 3-Gang switch module, black + fascia, satin steel	MSW/K/31/B/SS	£72.19
MESH7 4-Gang switch module, black + fascia, satin steel	MSW/K/41/B/SS	£79.09



### 2-Position Retractive (pulse up / pulse down)

- Use where 2 switch actions per rocker are required.
- Switch module complete with satin steel decorative fascia.

DESCRIPTION	2-POSITION RETRACTIVE SWITCH	PRICE
MESH7 1-Gang switch module, black + fascia, satin steel	MSW/K/12/B/SS	£64.21
MESH7 2-Gang switch module, black + fascia, satin steel	MSW/K/22/B/SS	£67.38
MESH7 3-Gang switch module, black + fascia, satin steel	MSW/K/32/B/SS	£72.19
MESH7 4-Gang switch module, black + fascia, satin steel	MSW/K/42/B/SS	£79.09

## Scene Recall Plates

All MESH7 Scene Recall Plates uniquely incorporate RJ connectivity, meaning no on-site termination is required – they simply plug in. A Control Link Lead is required to connect the recall plate to a MESH7 Control Module.

Scene Recall Plates can be supplied with a decorative fascia, or as a module only for use with any manufacturer's 50mm x 50mm Euromod type frames.

Recall 8 scenes with the press of a button – the adjacent LED illuminates to indicate which scene is currently active. Further adjustments can be made while in use by holding the Up/Down buttons to Raise/Lower the overall light output of a particular scene.

Combine MESH7 Scene Recall Plates with MESH7 PIR Sensor Heads for enhanced control applications including presence, absence etc.



- Recalls up to 8 independent light scenes.
- Manually brighten/dim a recalled scene.
- Switch all luminaires OFF.
- Fast and simple plug-in installation.
- Available in black or white to suit your decor.
- Clips into any manufacturer's 50mm x 50mm Euro Module type faceplate.



## White Scene Recall Module

- Use if you wish to source your own decorative fascia.
- Clips into any 50mm x 50mm Euromod style decorative fascia.
- Must be used in conjunction with a MESH7 Control Module and Peripheral Control Link Lead.

DESCRIPTION	PART NO.	PRICE
MESH7 8 Scene Recall Module, white	MSR/M/48/W	£204.36



## Black Scene Recall Module

- Use if you wish to source your own decorative fascia.
- Clips into any 50mm x 50mm Euromod style decorative fascia.
- Must be used in conjunction with a MESH7 Control Module and Control Link Lead.

DESCRIPTION	PART NO.	PRICE
MESH7 8 Scene Recall Module, black	MSR/M/48/B	£204.36



## White Scene Recall Plate Module + Decorative Fascia

- Scene Recall Plate module complete with white decorative fascia.
- Must be used in conjunction with a MESH7 Control Module and Control Link Lead.

DESCRIPTION	PART NO.	PRICE
MESH7 Scene Recall Plate, white module, with white decorative fascia	MSR/K/48/W/W	£210.31



## Black Scene Recall Plate Module + Decorative Fascia

- Scene Recall Plate module complete with satin steel decorative fascia.
- Must be used in conjunction with a MESH7 Control Module and Control Link Lead.

DESCRIPTION	PART NO.	PRICE
MESH7 Scene Recall Plate, black module, with satin steel decorative fascia	MSR/K/48/B/SS	£233.85

## MESH7 8 Channel Input Module

The MESH7 Input Module enables 3rd party switching devices to integrate with the MESH7 System. A Control Link Lead is required to connect the Input Module to a MESH7 Control Module.

Each Input Module can accommodate up to 8 individual switch inputs from non-MESH7 devices such as a simple wall switch through to time clocks or security / fire alarm panels. Applications such as 'Last-Man-Out' or 'All Lights ON in Alarm' are possible.

3rd party, volt-free devices are connected to the module via an array of clearly identified terminals.



### 8 Channel Input Module

DESCRIPTION	PART NO.	PRICE
MESH7 8 channel input module	MIM8	£189.19

## MESH7 4 Channel Output Module, Volt-Free

The MESH7 Output Module enables non-MESH7 plant and equipment to be driven by the MESH7 System. A Control Link Lead is required to connect the Input Module to a MESH7 Control Module.

Each Output Module can drive up to 4 pieces of equipment such as HVAC; sun shades; AV equipment etc. using MESH7 control devices.

3rd party equipment is connected to the Output Module via an array of clearly marked terminals. Each of the 4 independent channels operate on a volt-free basis and can be configured for N/O or N/C control, up to 24V DC max.



### 4 Channel Output Module

DESCRIPTION	PART NO.	PRICE
MESH7 4 Channel Output Module, Volt-Free (N/O & N/C)	M4GM	£288.98



## flex7 Lighting Connection Range

When we embarked on the development of MESH7 the one thing we knew for certain was that, just like our existing control products, it had to work seamlessly with our flex7 connection products – Lighting Distribution Boxes, Luminaire Leads, Extender Leads etc.

The following pages detail the most logical connection products from our current flex7 catalogue to use with MESH7 controls. In doing so, we've streamlined the product selection process when looking to design or install a MESH7 control system. However, if the exact product you're looking for isn't featured you're more than likely to find it in our standard catalogue.



# flex7 Lighting Distribution Boxes

flex7 Lighting Distribution Boxes were designed with the end user in mind. They're manufactured using robust aluminium to easily survive the rigours of installation. A large wiring compartment gives plenty of room for termination of fixed wiring.

All Distribution Boxes come with a spare outlet on the end, which means that an extra box can be plugged in to add further outlets at any time.

Luminaire Leads, and MESH7 Control Modules simply plug into any outlet on the box meaning connection takes seconds.



- Compact and Robust
- 7-Pole as standard - use for on/off or dimming control
- 2-12 way options
- Secure plug-in connection

## Fixing options

Conduit Box



Snap In/Out brackets



Drop Rods



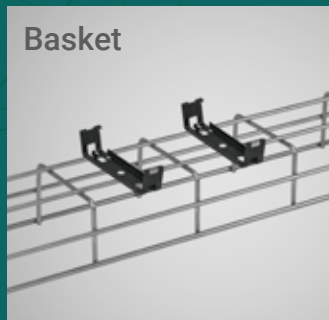
Tray



Trunking



Basket



Solid Surface



## A fully modular system

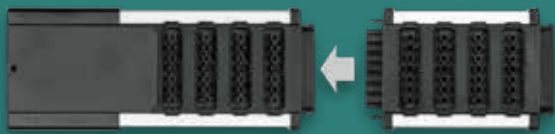
If you simply need to connect a single group of luminaires, then a Starter Distribution Box allows you to do just that.

If you want to add extra luminaires at any stage you just need to plug an Expansion Box into your Starter Box, to provide extra outlets.

If you want to control a 2nd group of luminaires separately, share power from your Starter Box with a Supply Tap-off Box, by plugging it into the extra outlet.

### You have 2 options for connecting an extra Box:

You can plug them in direct unit-to-unit



or via a lead.

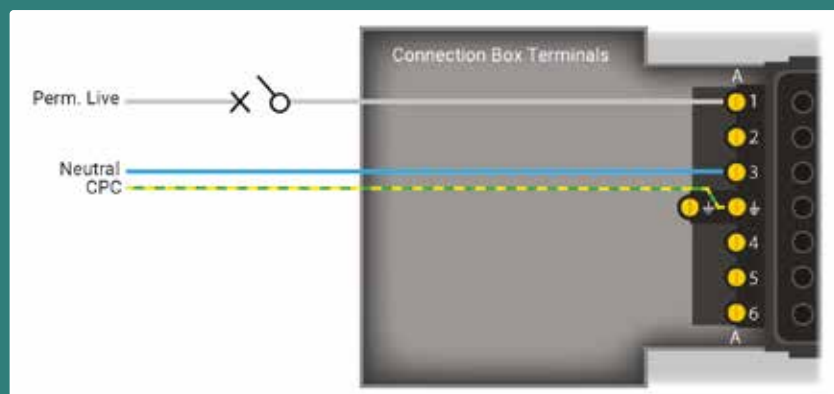


## Simple installation

The only on-site termination required in any lighting scenario is LNE to the Distribution Box, so standardising the installation process regardless of complexity. This is possible because at the heart of every flex7 product is the fundamental of plug-in modularity. As well as reducing installation time this also offers a trouble-free upgrade path should requirements change in the future.

### Starter Distribution Box

Using MESH7 means only a permanent live, neutral and earth are required - everything else just plugs in.



## Starter Distribution Boxes



- Use for each room/space to terminate fixed wiring and provide outlets for the plug-in connection of luminaires; MESH7 control modules etc.
- All flex7 Lighting Distribution Boxes support standard (on/off) or dimmable lighting control in emergency or non-emergency versions.

DESCRIPTION	PART NO.	PRICE
flex7 2-way Starter Distribution Box	FSU02	£47.76
flex7 4-way Starter Distribution Box	FSU04	£65.57
flex7 6-way Starter Distribution Box	FSU06	£84.91
flex7 8-way Starter Distribution Box	FSU08	£104.21
flex7 10-way Starter Distribution Box	FSU10	£124.33
flex7 12-way Starter Distribution Box	FSU12	£144.73

## Dual Control/Supply Distribution Boxes

Use to control 2 groups of luminaires independently of each other (same circuit, separate control) or to control 2 individual circuits of luminaires (2 protective devices at the distribution board(s) - must be the same phase).

Regardless of application, these Distribution Boxes support standard (on/off) or dimmable lighting control in emergency or non-emergency versions.

## Dual Control/Supply Distribution Boxes



- ▶ The standard split point is 50:50 as detailed below:

DESCRIPTION	PART NO.	PRICE
2-way Dual Control/Supply Starter Distribution Box, Split 1/1	FSU02DS1/1	£67.65
4-way Dual Control/Supply Starter Distribution Box, Split 2/2	FSU04DS2/2	£85.42
6-way Dual Control/Supply Starter Distribution Box, Split 3/3	FSU06DS3/3	£104.25
8-way Dual Control/Supply Starter Distribution Box, Split 4/4	FSU08DS4/4	£124.20
10-way Dual Control/Supply Starter Distribution Box, Split 5/5	FSU10DS5/5	£142.66
12-way Dual Control/Supply Starter Distribution Box, Split 6/6	FSU12DS6/6	£163.82



## Bespoke Dual Control/Supply Distribution Boxes

► The bespoke split points detailed below are built to order:

DESCRIPTION	PART NO.	PRICE
4-way Dual Control/Supply Starter Distribution Box, Split 3/1	FSU04DS3/1	£91.83
6-way Dual Control/Supply Starter Distribution Box, Split 5/1	FSU06DS5/1	£112.07
6-way Dual Control/Supply Starter Distribution Box, Split 4/2	FSU06DS4/2	£112.07
8-way Dual Control/Supply Starter Distribution Box, Split 7/1	FSU08DS7/1	£133.52
8-way Dual Control/Supply Starter Distribution Box, Split 6/2	FSU08DS6/2	£133.52
8-way Dual Control/Supply Starter Distribution Box, Split 5/3	FSU08DS5/3	£133.52
10-way Dual Control/Supply Starter Distribution Box, Split 9/1	FSU10DS9/1	£153.36
10-way Dual Control/Supply Starter Distribution Box, Split 8/2	FSU10DS8/2	£153.36
10-way Dual Control/Supply Starter Distribution Box, Split 7/3	FSU10DS7/3	£153.36
10-way Dual Control/Supply Starter Distribution Box, Split 6/4	FSU10DS6/4	£153.36
12-way Dual Control/Supply Starter Distribution Box, Split 11/1	FSU12DS11/1	£176.11
12-way Dual Control/Supply Starter Distribution Box, Split 10/2	FSU12DS10/2	£176.11
12-way Dual Control/Supply Starter Distribution Box, Split 9/3	FSU12DS9/3	£176.11
12-way Dual Control/Supply Starter Distribution Box, Split 8/4	FSU12DS8/4	£176.11
12-way Dual Control/Supply Starter Distribution Box, Split 7/5	FSU12DS7/5	£176.11

## Expansion Distribution Boxes

Use to expand the capacity of your preceding Distribution Box eg. plugging a 4-way Expansion Box into an 8-way Starter Box provides a total of 12 outlets.

All flex7 Lighting Distribution Boxes support standard (on/off) or dimmable lighting control in emergency or non-emergency versions.

Plug-in directly Box to Box, or via a suitable Expansion lead.

Luminaires and MESH7 Control Module can be plugged into any outlet in either Distribution Box.



## Expansion Distribution Boxes

DESCRIPTION	PART NO.	PRICE
flex7 2-way Expansion Distribution Box	FXU02	£43.35
flex7 4-way Expansion Distribution Box	FXU04	£63.29
flex7 6-way Expansion Distribution Box	FXU06	£83.69
flex7 8-way Expansion Distribution Box	FXU08	£103.54
flex7 10-way Expansion Distribution Box	FXU10	£123.51
flex7 12-way Expansion Distribution Box	FXU12	£143.67

## Supply Tap-off Distribution Boxes

Use to extend only the supply (not the control or emergency test) of preceding Distribution Box to power a separate group of luminaires, and control them independently. A separate Control Module is required.

All flex7 Lighting Distribution Boxes support standard (on/off) or dimmable lighting control in emergency or non-emergency versions.

Plug-in directly Box to Box, or via a suitable Supply Tap-off Lead.

Ideal for distributing one supply over several rooms or areas. Saves valuable installation time, as only the original Starter Box requires fixed wiring termination.



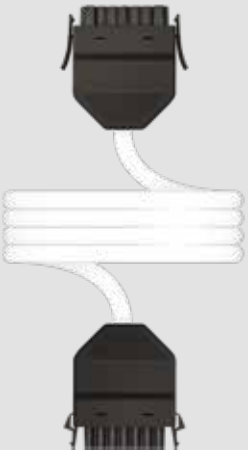
### Supply Tap-off Distribution Boxes

DESCRIPTION	PART NO.	PRICE
flex7 2-way Tap-off Distribution Box (MESH7 configured)	FTU02/M7	£40.61
flex7 4-way Tap-off Distribution Box (MESH7 configured)	FTU04/M7	£60.68
flex7 6-way Tap-off Distribution Box (MESH7 configured)	FTU06/M7	£81.08
flex7 8-way Tap-off Distribution Box (MESH7 configured)	FTU08/M7	£100.89
flex7 10-way Tap-off Distribution Box (MESH7 configured)	FTU10/M7	£120.99
flex7 12-way Tap-off Distribution Box (MESH7 configured)	FTU12/M7	£141.20

Please note: This variant differs from a standard flex7 FTU and is not interchangeable.

## Expansion Leads

Use if you wish your Expansion Distribution Box to be remote from your preceding Distribution Box eg. you may wish to keep all luminaire leads short along a corridor by using Expansion Distribution Boxes linked together via Expansion Leads.



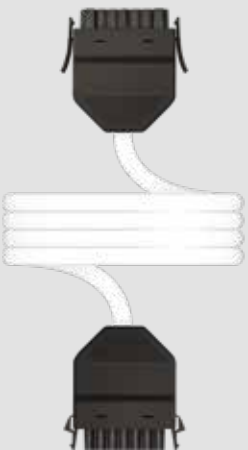
### Expansion Leads

DESCRIPTION	PART NO.	PRICE
flex7 1.50mm cable, 2 metre	FX7150LSHF2/B	£42.11
flex7 1.50mm cable, 3 metre	FX7150LSHF3/B	£48.90
flex7 1.50mm cable, 5 metre	FX7150LSHF5/B	£62.54
flex7 1.50mm cable, 7 metre	FX7150LSHF7/B	£77.28

## Supply Tap-off Leads

Use if you wish your Supply Tap-off Box to be remote from the preceding Distribution Box.

Ideal for distributing one supply over several rooms or areas. Saves valuable time as only the original Starter Box requires fixed wiring termination.



### Tap-off Leads

DESCRIPTION	PART NO.	PRICE
flex7 1.50mm cable, 2 metre	FT3150LSHF2/B	£24.38
flex7 1.50mm cable, 3 metre	FT3150LSHF3/B	£27.23
flex7 1.50mm cable, 5 metre	FT3150LSHF5/B	£32.45
flex7 1.50mm cable, 7 metre	FT3150LSHF7/B	£38.16

# Luminaire Leads

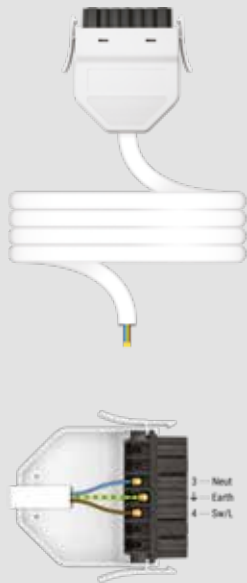
We offer an extensive range of luminaire leads which minimise installation time. All variants are available in Low Smoke Halogen Free (LSHF) cable, in accordance with BS EN 50525-3-11 and CPR rated to category Cca s1a d1, a1, so you can be assured that they'll meet required safety standards for public and commercial buildings.

All luminaire leads in range are 100% tested and come with ferruled conductors at free end.



## Standard Luminaire Leads, All White

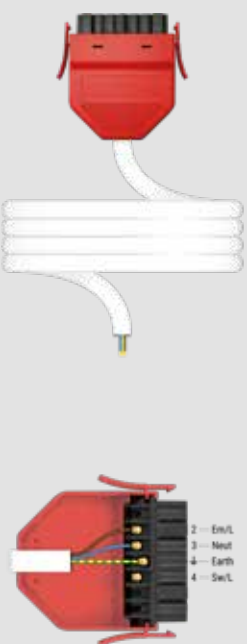
• 3-core luminaire lead for use with standard (on/off) luminaires.



DESCRIPTION	PART NO.	PRICE
flex7 0.75mm cable, 2 metre	FL375LSHF2/W	£10.76
flex7 0.75mm cable, 3 metre	FL375LSHF3/W	£12.63
flex7 0.75mm cable, 5 metre	FL375LSHF5/W	£16.51
flex7 0.75mm cable, 7 metre	FL375LSHF7/W	£19.81
flex7 1.00mm cable, 2 metre	FL3100LSHF2/W	£11.49
flex7 1.00mm cable, 3 metre	FL3100LSHF3/W	£13.72
flex7 1.00mm cable, 5 metre	FL3100LSHF5/W	£17.97
flex7 1.00mm cable, 7 metre	FL3100LSHF7/W	£22.25
flex7 1.50mm cable, 2 metre	FL3150LSHF2/W	£13.01
flex7 1.50mm cable, 3 metre	FL3150LSHF3/W	£15.66
flex7 1.50mm cable, 5 metre	FL3150LSHF5/W	£21.41
flex7 1.50mm cable, 7 metre	FL3150LSHF7/W	£26.91

## Non-maintained Emergency Luminaire Leads, Red With White Cable

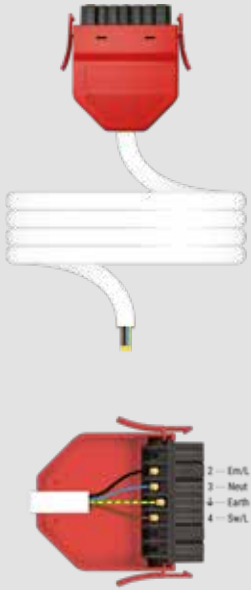
• 3-core luminaire lead for use with non-maintained, emergency luminaires.



DESCRIPTION	PART NO.	PRICE
flex7 0.75mm cable, 2 metre	FL375LSHF2/RE	£12.07
flex7 0.75mm cable, 3 metre	FL375LSHF3/RE	£14.03
flex7 0.75mm cable, 5 metre	FL375LSHF5/RE	£18.11
flex7 0.75mm cable, 7 metre	FL375LSHF7/RE	£21.56
flex7 1.00mm cable, 2 metre	FL3100LSHF2/RE	£12.81
flex7 1.00mm cable, 3 metre	FL3100LSHF3/RE	£15.18
flex7 1.00mm cable, 5 metre	FL3100LSHF5/RE	£19.60
flex7 1.00mm cable, 7 metre	FL3100LSHF7/RE	£24.13
flex7 1.50mm cable, 2 metre	FL3150LSHF2/RE	£14.41
flex7 1.50mm cable, 3 metre	FL3150LSHF3/RE	£17.50
flex7 1.50mm cable, 5 metre	FL3150LSHF5/RE	£23.23
flex7 1.50mm cable, 7 metre	FL3150LSHF7/RE	£29.04

## Maintained Emergency Luminaire Leads, Red With White Cable

• 4-core luminaire lead for use with standard (on/off) + maintained emergency luminaires.



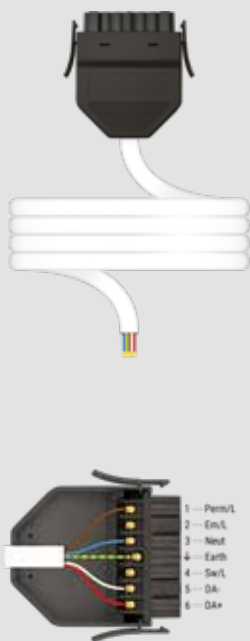
DESCRIPTION	PART NO.	PRICE
flex7 0.75mm cable, 2 metre	FL475LSHF2/R	£12.84
flex7 0.75mm cable, 3 metre	FL475LSHF3/R	£15.21
flex7 0.75mm cable, 5 metre	FL475LSHF5/R	£19.99
flex7 0.75mm cable, 7 metre	FL475LSHF7/R	£24.53
flex7 1.00mm cable, 2 metre	FL4100LSHF2/R	£14.20
flex7 1.00mm cable, 3 metre	FL4100LSHF3/R	£16.88
flex7 1.00mm cable, 5 metre	FL4100LSHF5/R	£22.74
flex7 1.00mm cable, 7 metre	FL4100LSHF7/R	£28.88
flex7 1.50mm cable, 2 metre	FL4150LSHF2/R	£16.34
flex7 1.50mm cable, 3 metre	FL4150LSHF3/R	£20.30
flex7 1.50mm cable, 5 metre	FL4150LSHF5/R	£28.00
flex7 1.50mm cable, 7 metre	FL4150LSHF7/R	£35.42

# DALI and DALI + Maintained Emergency Luminaire Leads

Use with luminaires that are controlled solely by a DALI signal and as such do not require mains rated switched live.

Luminaire leads ending 'D' have a Permanent Live in place of a Switched Live. These leads are intended specifically for use with DALI luminaires.

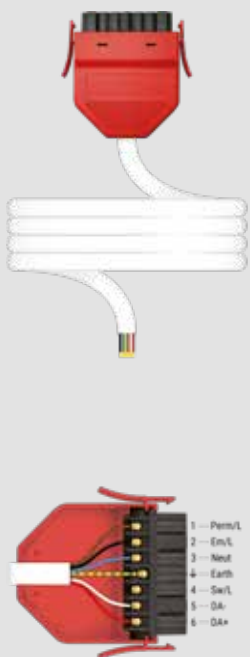
All Luminaire Leads in the range are 100% tested and come with ferruled conductors at free end.



## DALI Luminaire Leads, Black With White Cable

- Permanent Live on Pin 1.
- 5-core luminaire lead for use with DALI controlled luminaires.

DESCRIPTION	PART NO.	PRICE
flex7 0.75mm cable, 2 metre	FL575LSHF2/BD	£17.57
flex7 0.75mm cable, 3 metre	FL575LSHF3/BD	£20.80
flex7 0.75mm cable, 5 metre	FL575LSHF5/BD	£27.39
flex7 0.75mm cable, 7 metre	FL575LSHF7/BD	£33.63
flex7 1.00mm cable, 2 metre	FL5100LSHF2/BD	£18.56
flex7 1.00mm cable, 3 metre	FL5100LSHF3/BD	£22.27
flex7 1.00mm cable, 5 metre	FL5100LSHF5/BD	£29.66
flex7 1.00mm cable, 7 metre	FL5100LSHF7/BD	£36.71
flex7 1.50mm cable, 2 metre	FL5150LSHF2/BD	£21.21
flex7 1.50mm cable, 3 metre	FL5150LSHF3/BD	£26.12
flex7 1.50mm cable, 5 metre	FL5150LSHF5/BD	£35.79
flex7 1.50mm cable, 7 metre	FL5150LSHF7/BD	£45.06



## DALI + Maintained Emergency Luminaire Leads, Red With White Cable

- Permanent Live on Pin 1.
- 6-core luminaire lead for use with maintained emergency luminaires where the general light is DALI controlled and the emergency test is non-DALI related.

DESCRIPTION	PART NO.	PRICE
flex7 0.75mm cable, 2 metre	FL675LSHF2/RD	£21.31
flex7 0.75mm cable, 3 metre	FL675LSHF3/RD	£25.84
flex7 0.75mm cable, 5 metre	FL675LSHF5/RD	£35.46
flex7 0.75mm cable, 7 metre	FL675LSHF7/RD	£44.14
flex7 1.00mm cable, 2 metre	FL6100LSHF2/RD	£22.20
flex7 1.00mm cable, 3 metre	FL6100LSHF3/RD	£27.04
flex7 1.00mm cable, 5 metre	FL6100LSHF5/RD	£36.67
flex7 1.00mm cable, 7 metre	FL6100LSHF7/RD	£46.76
flex7 1.50mm cable, 2 metre	FL6150LSHF2/RD	£25.13
flex7 1.50mm cable, 3 metre	FL6150LSHF3/RD	£31.11
flex7 1.50mm cable, 5 metre	FL6150LSHF5/RD	£43.61
flex7 1.50mm cable, 7 metre	FL6150LSHF7/RD	£54.91

# Extender and Double Extender Leads

Use Extender Leads to increase the length of a standard luminaire lead that is too short e.g. add a 2m extender lead to a 7m extender lead if 9m in total is required

Using one means luminaires can be wired up with a short lead, pre-installation. Ideal when the luminaire manufacturer is fitting the lead.

Another advantage is that it provides a means of disconnection very close to the luminaire, as well as at the Distribution Box further away.

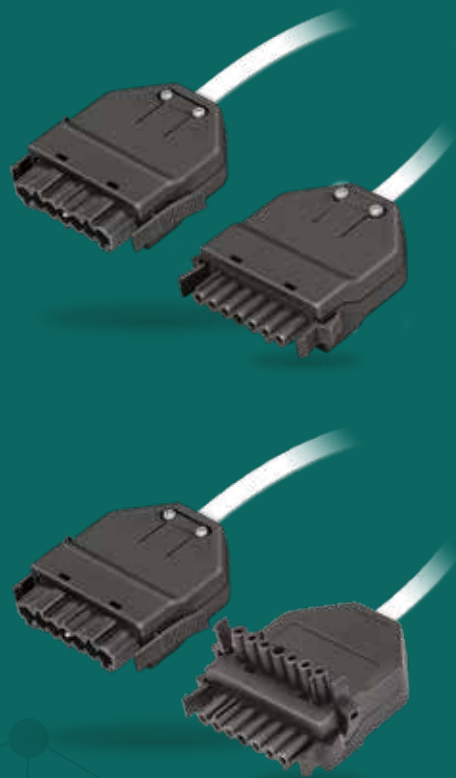
The Double Extender Lead has the added benefit of an extra socket set at a right angle to the inline socket.

The right angled socket can be used to plug into a local luminaire, while the inline socket continues the circuit to the next fitting.

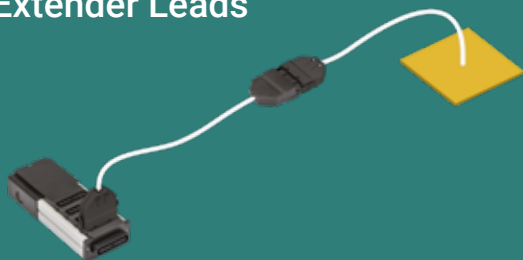
This solution is particularly useful where luminaires are sited in rows, such as corridors and open plan offices, or where specification calls for a means of disconnection very close to the luminaire.

Additionally, unlike similar systems, any luminaire in the row can be unplugged without affecting any of the others.

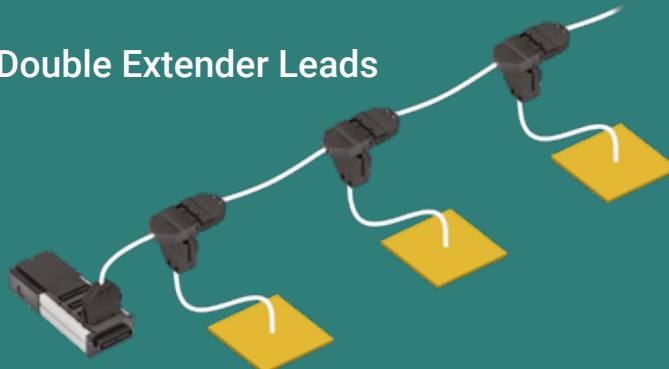
All Extender Leads are 100% tested.



## Extender Leads

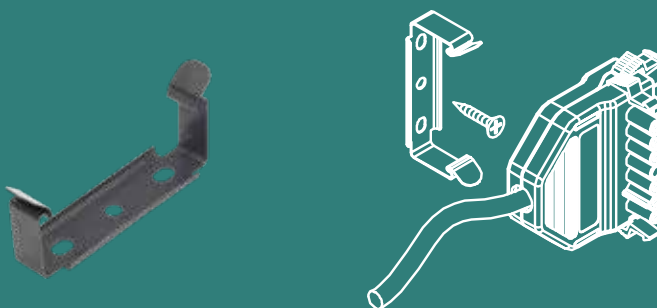


## Double Extender Leads



## Mounting Brackets

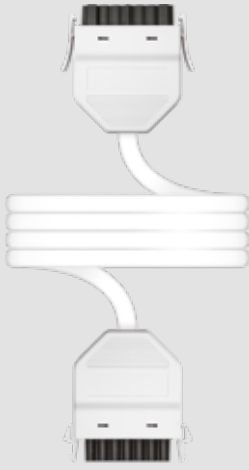
Mounting brackets are available to support the sockets. The metal 'clip-in' mechanism is a simple solution to ensure compliance with BS7671 521.10.202.



## Mounting Bracket

• Use to support Extender and Double Extender Lead Sockets.

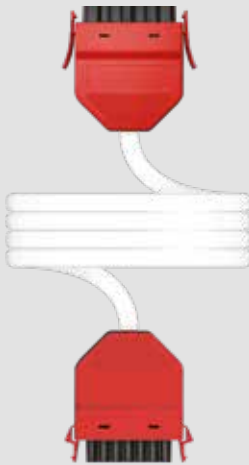
DESCRIPTION	PART NO.	PRICE
flex7 Mounting Bracket	FB009	£1.67



## Standard Extender Leads, All White

• 3-core Extender Lead for use with standard (on/off) luminaires.

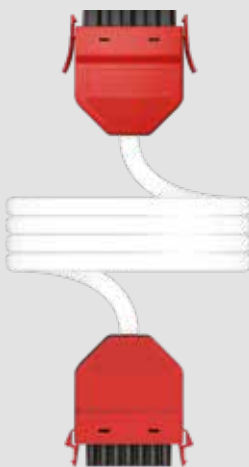
DESCRIPTION	PART NO.	PRICE
flex7 1.00mm cable, 2 metre	FS3100LSHF2/W	£20.80
flex7 1.00mm cable, 3 metre	FS3100LSHF3/W	£22.89
flex7 1.00mm cable, 5 metre	FS3100LSHF5/W	£27.35
flex7 1.00mm cable, 7 metre	FS3100LSHF7/W	£31.17
flex7 1.50mm cable, 2 metre	FS3150LSHF2/W	£22.09
flex7 1.50mm cable, 3 metre	FS3150LSHF3/W	£24.96
flex7 1.50mm cable, 5 metre	FS3150LSHF5/W	£30.83
flex7 1.50mm cable, 7 metre	FS3150LSHF7/W	£35.94



## Non-maintained Emergency Extender Leads, Red With White Cable

• 3-core Extender Lead for use with non-maintained, emergency luminaires.

DESCRIPTION	PART NO.	PRICE
flex7 1.00mm cable, 2 metre	FS3100LSHF2/RE	£22.51
flex7 1.00mm cable, 3 metre	FS3100LSHF3/RE	£24.66
flex7 1.00mm cable, 5 metre	FS3100LSHF5/RE	£29.27
flex7 1.00mm cable, 7 metre	FS3100LSHF7/RE	£33.86
flex7 1.50mm cable, 2 metre	FS3150LSHF2/RE	£24.36
flex7 1.50mm cable, 3 metre	FS3150LSHF3/RE	£26.78
flex7 1.50mm cable, 5 metre	FS3150LSHF5/RE	£32.87
flex7 1.50mm cable, 7 metre	FS3150LSHF7/RE	£38.87



## Maintained Emergency Extender Leads, Red With White Cable

• 4-core Extender Lead for use with standard (on/off) + maintained emergency luminaires.

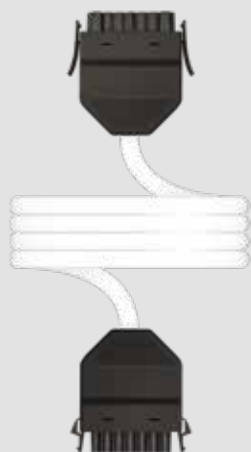
DESCRIPTION	PART NO.	PRICE
flex7 1.00mm cable, 2 metre	FS4100LSHF2/R	£24.63
flex7 1.00mm cable, 3 metre	FS4100LSHF3/R	£27.46
flex7 1.00mm cable, 5 metre	FS4100LSHF5/R	£33.27
flex7 1.00mm cable, 7 metre	FS4100LSHF7/R	£39.04
flex7 1.50mm cable, 2 metre	FS4150LSHF2/R	£26.51
flex7 1.50mm cable, 3 metre	FS4150LSHF3/R	£30.39
flex7 1.50mm cable, 5 metre	FS4150LSHF5/R	£38.09
flex7 1.50mm cable, 7 metre	FS4150LSHF7/R	£45.68

# DALI and DALI + Maintained Emergency Extender Leads

Use with luminaires that are controlled solely by a DALI signal and as such do not require mains rated switched live.

Extender leads ending 'D' have a Permanent Live in place of a Switched Live. These leads are intended specifically for use with DALI luminaires.

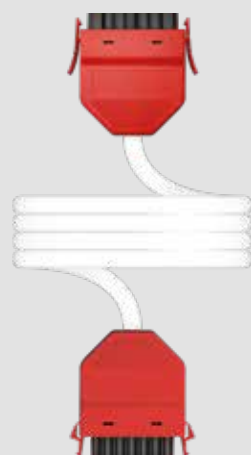
All Extender Leads in the range are 100% tested.



## DALI Extender Leads, Black With White Cable

- Permanent Live on Pin 1.
- 5-core Extender Lead for use with luminaires controlled by DALI (or similar) protocol.
- This Extender Lead has no switched live.

DESCRIPTION	PART NO.	PRICE
flex7 1.00mm cable, 2 metre	FS5100LSHF2/BD	£31.43
flex7 1.00mm cable, 3 metre	FS5100LSHF3/BD	£34.90
flex7 1.00mm cable, 5 metre	FS5100LSHF5/BD	£43.02
flex7 1.00mm cable, 7 metre	FS5100LSHF7/BD	£50.27
flex7 1.50mm cable, 2 metre	FS5150LSHF2/BD	£34.52
flex7 1.50mm cable, 3 metre	FS5150LSHF3/BD	£39.39
flex7 1.50mm cable, 5 metre	FS5150LSHF5/BD	£49.26
flex7 1.50mm cable, 7 metre	FS5150LSHF7/BD	£58.89



## DALI + Maintained Emergency Extender Leads, Red With White Cable

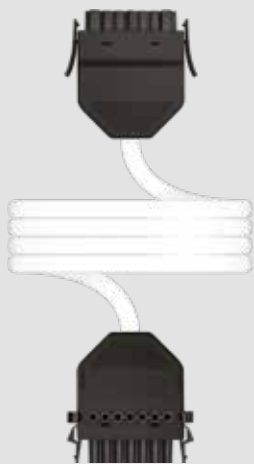
- Permanent Live on Pin 1.
- 6-core Extender Lead for use with maintained emergency luminaires where the general light is DALI controlled and the emergency test is non-DALI related.
- This Extender Lead has no switched live.

DESCRIPTION	PART NO.	PRICE
flex7 1.00mm cable, 2 metre	FS6100LSHF2/RD	£34.02
flex7 1.00mm cable, 3 metre	FS6100LSHF3/RD	£38.92
flex7 1.00mm cable, 5 metre	FS6100LSHF5/RD	£48.79
flex7 1.00mm cable, 7 metre	FS6100LSHF7/RD	£58.47
flex7 1.50mm cable, 2 metre	FS6150LSHF2/RD	£36.50
flex7 1.50mm cable, 3 metre	FS6150LSHF3/RD	£42.33
flex7 1.50mm cable, 5 metre	FS6150LSHF5/RD	£58.38
flex7 1.50mm cable, 7 metre	FS6150LSHF7/RD	£70.75

# Double Extender Leads

Use where luminaires are sited in rows, such as corridors or open plan offices, or where specification calls for a means of disconnection very close to the luminaires.

All Extender Leads in the range are 100% tested.

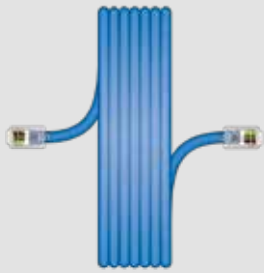


## Double Extender Leads For All Luminaires, Black With White Cable

7-core Extender Lead for use with:

- Standard (on/off) Luminaires
- Standard (on/off) + Maintained Emergency Luminaires
- Non-maintained Emergency Luminaires
- DALI Luminaires
- DALI + Maintained Emergency Luminaires

DESCRIPTION	PART NO.	PRICE
flex7 1.50mm cable, 2 metre	FD7150LSHF2/B	£48.52
flex7 1.50mm cable, 3 metre	FD7150LSHF3/B	£55.19
flex7 1.50mm cable, 5 metre	FD7150LSHF5/B	£68.71
flex7 1.50mm cable, 7 metre	FD7150LSHF7/B	£83.63



## Control Link Leads for MESH7 Switches & Sensors etc.

- Use to connect a MESH7 Control Module to to any MESH7 Peripheral Device (sensor, switch etc.).

DESCRIPTION	PART NO.	PRICE
flex7 Control Link Lead, LSHF, 5 metre	FSL05/BL	£9.70
flex7 Control Link Lead, LSHF, 10 metre	FSL10/BL	£15.96
flex7 Control Link Lead, LSHF, 20 metre	FSL20/BL	£27.14
flex7 Peripheral Control Link Lead, LSHF, 30 metre	FSL30/BL	£41.16



## 'Y' Adaptor

- Use to plug 2 Control Link Leads into a single MESH7 Peripheral Device or Control Module.

DESCRIPTION	PART NO.	PRICE
flex7 Control Lead Adaptor	FSY/A	£6.69



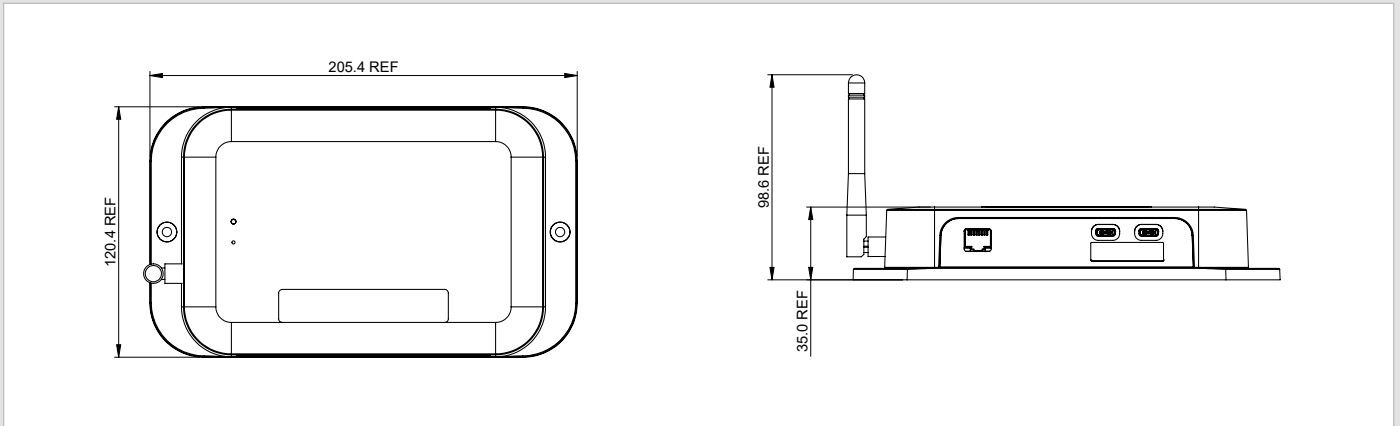
## 3 Port 'Y' Adaptor

- Use if FSY/A fixed tail length of 150mm is too short eg. to plug 2 Control Link Leads above a drop down a wall. This means the 'Y' Adaptor can be situated in the ceiling rather than in the restricted space inside the switch box.

DESCRIPTION	PART NO.	PRICE
flex7 Control Lead Adaptor (3 x port), 2m	FSY	£4.52

# Technical Information

## MESH7 Hub Unit Dimensions



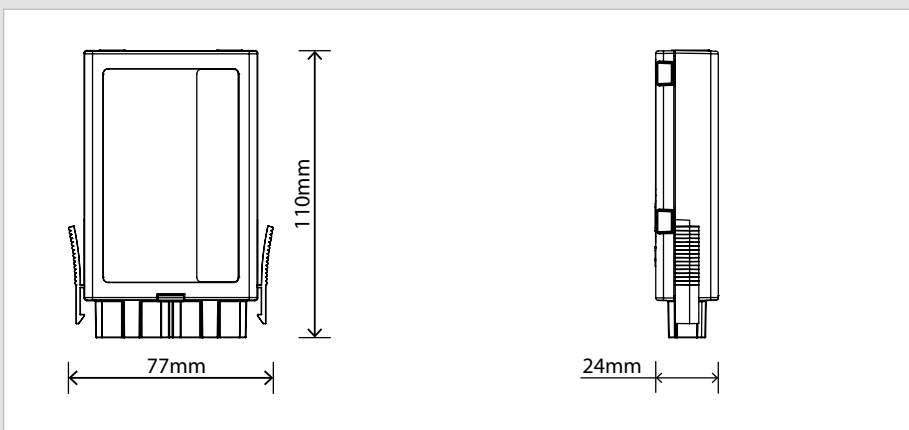
### MESH7 Hub Unit

Supply Voltage:	5.1V DC (via supplied power adaptor)
Current Rating:	3A
Material Specification (Moulded):	ABS, UL94, V0
Ingress Protection:	IP2X
Operating Temperature Range:	-10°C / +40°C

### MESH7 4G Network Interface

Supply Voltage:	9V DC (via supplied power adaptor)
Current Rating:	1A
Ingress Protection:	IP2X
Operating Temperature Range:	-10°C / +40°C

## MESH7 Control Module Dimensions



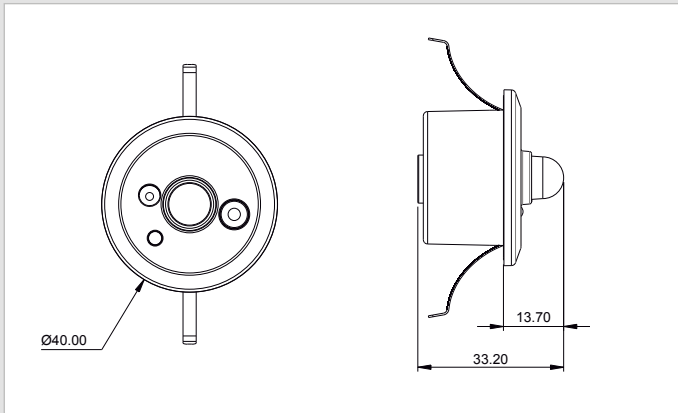
### MESH7 Control Module

Supply Voltage:	230V~
Current Rating:	6A
Frequency	50Hz
Material Specification (Moulded):	PA6, Halogen Free, UL94, V0
Ingress Protection:	IP2X
Operating Temperature Range:	-10°C / +40°C

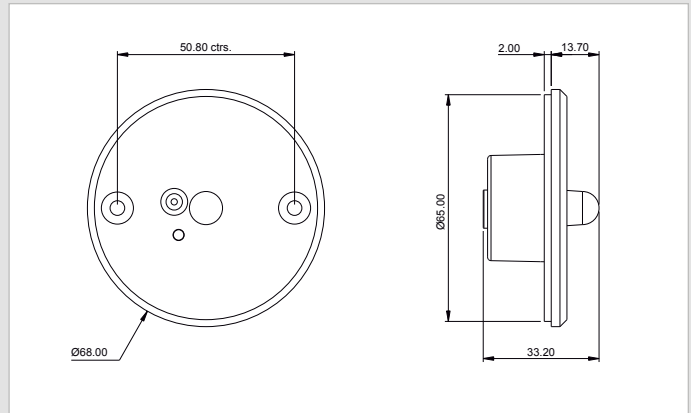
### Relay Inrush

	Main Relay	Emergency Relay
Max. Load:	6A	4A
Max. Inrush:	120A for 20ms	39A for 100ms

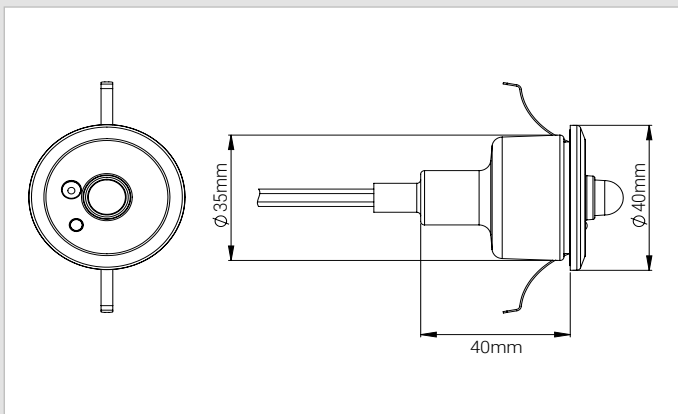
## MESH7 Standard PIR Sensor Head Dimensions



## MESH7 Tamper-Resistant PIR Sensor Head Dimensions



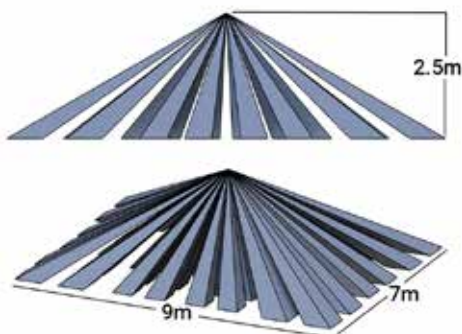
## MESH7 IP66 PIR Sensor Head Dimensions



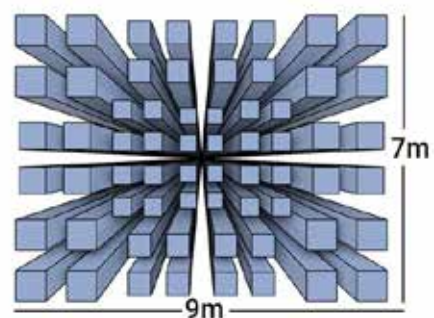
### MESH7 PIR Sensor Head

Supply Voltage:	12V dc (via MESH7 MCM)
Detection Range:	9m x 7m when ceiling mounted 2.5m high
Material Specification (Moulded):	PA6, Halogen Free, UL94, V0
Ingress Protection:	IP2X & IP66
Operating Temperature Range:	-10°C / +40°C

PIR Pattern - elevation

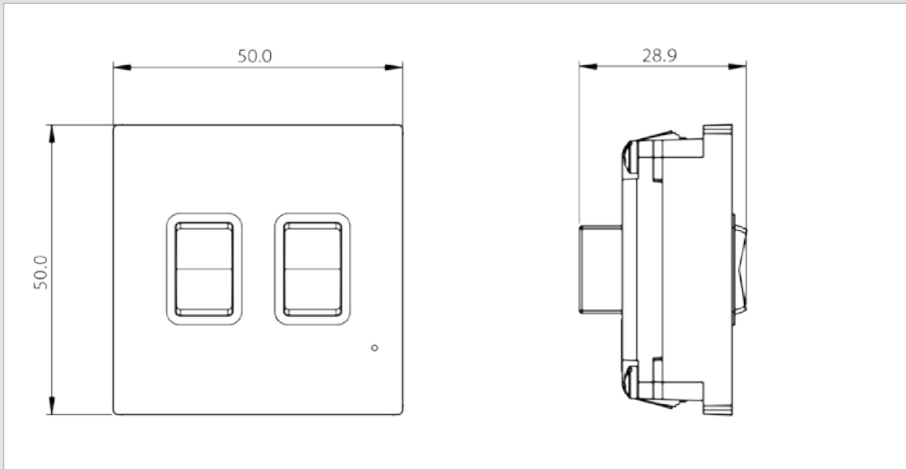


PIR Pattern Plan



# Technical Information

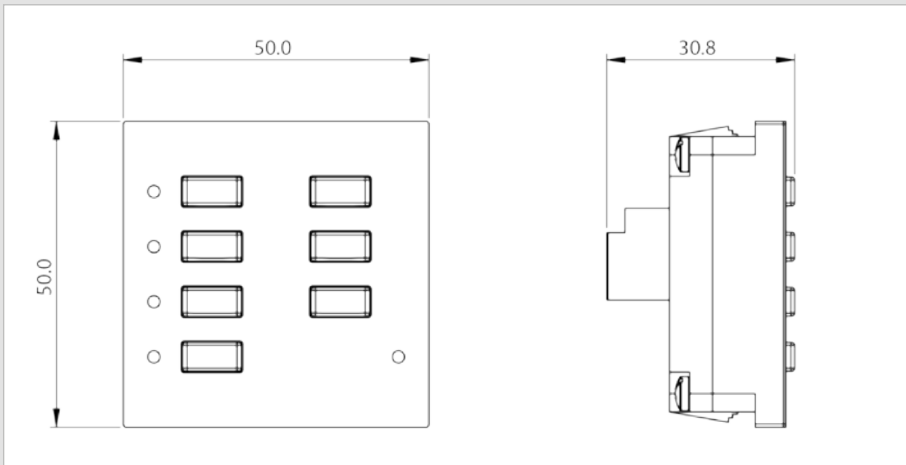
## MESH7 Switch Dimensions



### MESH7 Switch

Supply Voltage:	12V dc (via MESH7 MCM)
Material Specification (Moulded):	PA6, Halogen Free, UL94, V0
Ingress Protection:	IP2X
Operating Temperature Range:	-10°C / +40°C

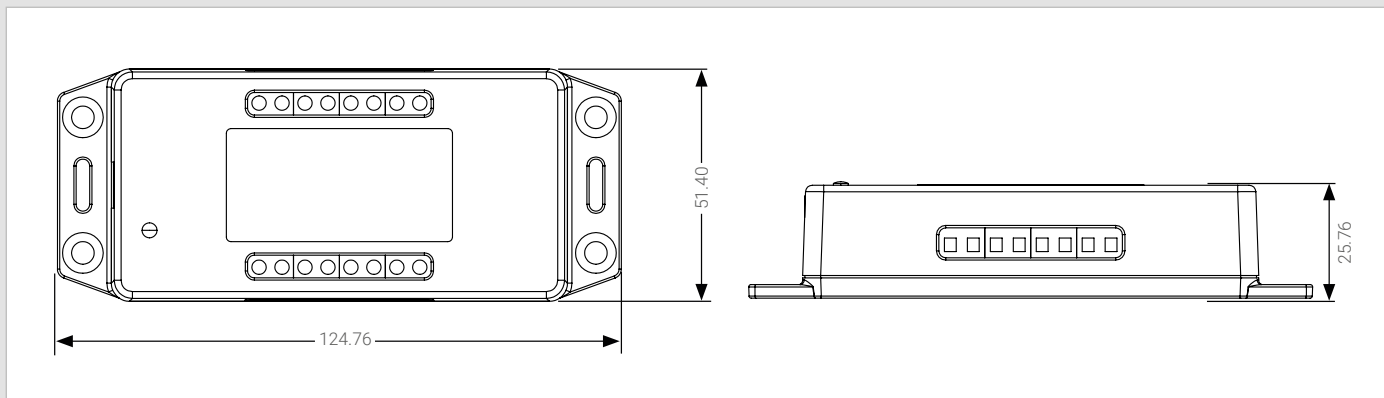
## MESH7 Scene Recall Plate Dimensions



### MESH7 Scene Recall Plate

Supply Voltage:	12V dc (via MESH7 MCM)
Material Specification (Moulded):	PA6, Halogen Free, UL94, V0
Ingress Protection:	IP2X
Operating Temperature Range:	-10°C / +40°C

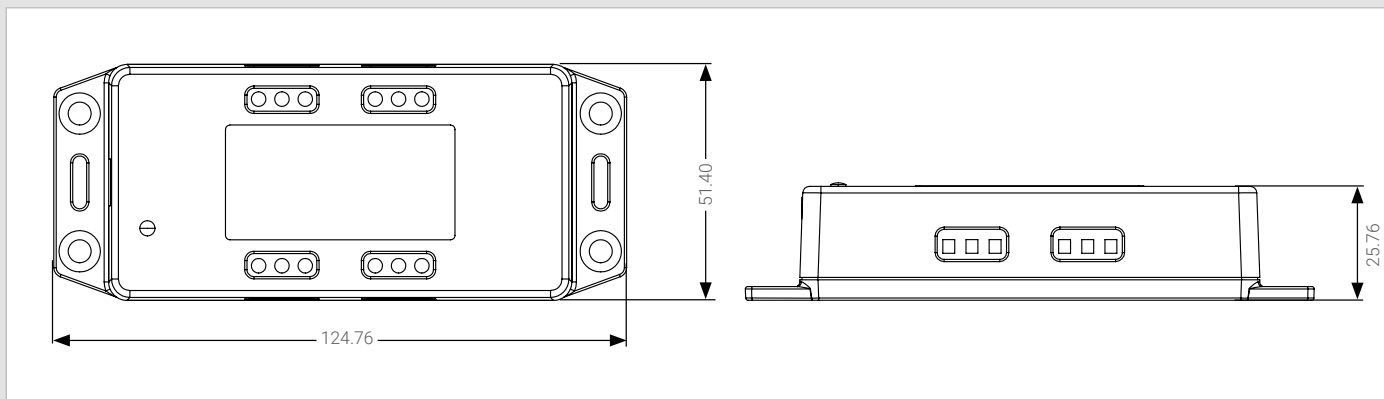
## MESH7 8 Channel Input Module Dimensions



### MESH7 8 Channel Input Module

Supply Voltage:	12V dc (via MESH7 MCM)
Material Specification:	FRABS UL 94-V0
Ingress Protection:	IP2X
Operating Temperature Range:	-10°C / +40°C

## MESH7 4 Channel Output Module Dimensions

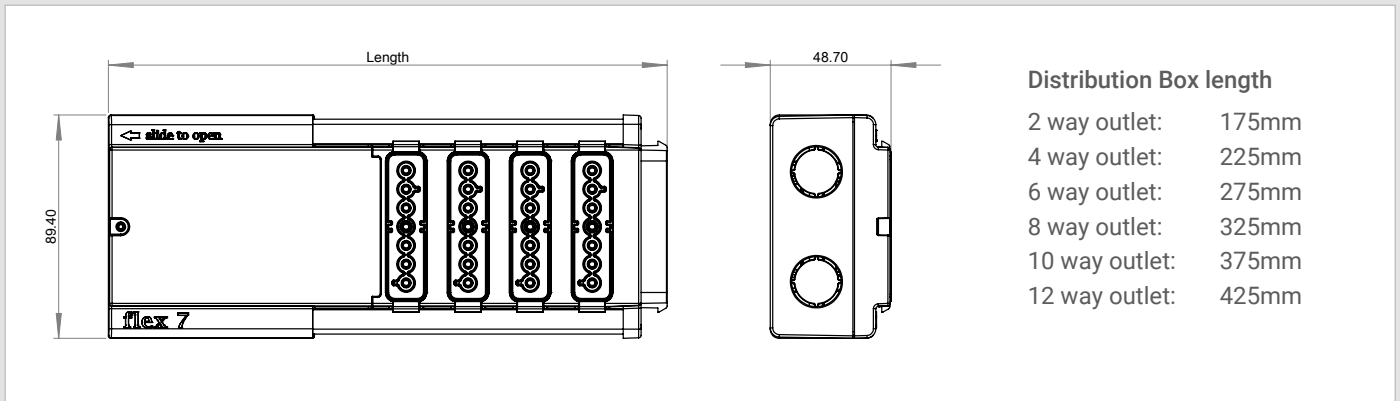


### MESH7 4 Channel Output Module

Supply Voltage:	12V dc (via MESH7 MCM)
Material Specification:	FRABS UL 94-V0
Ingress Protection:	IP2X
Operating Temperature Range:	-10°C / +40°C

# Technical Information

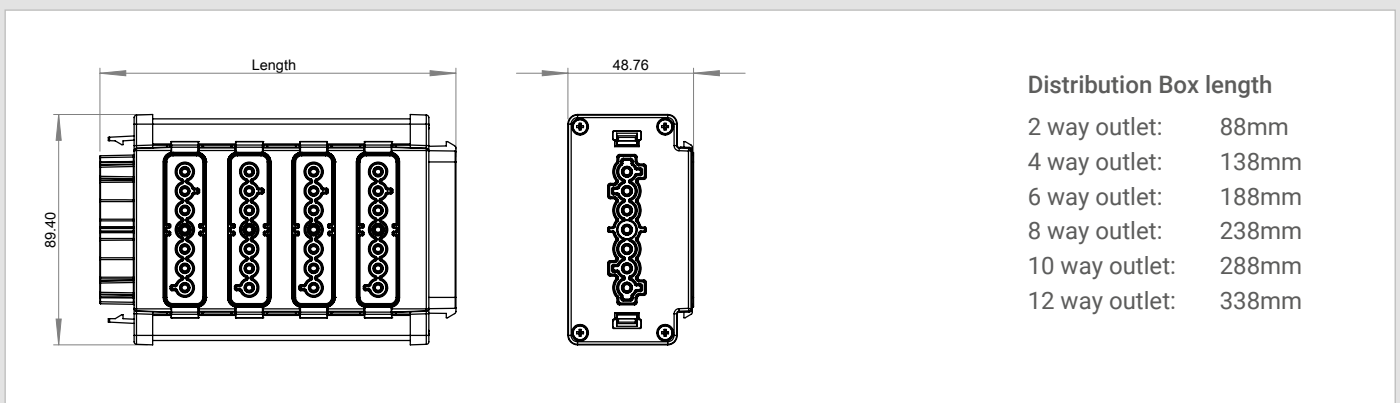
## FLEX7 Starter & Dual Supply Distribution Box Dimensions



### flex7 Starter & Dual Supply Distribution Box

Supply Voltage:	230V~
Current Rating:	16A (7 contacts per outlet, each rated at 16A)
Frequency:	50Hz
Terminal Capacity (Socket):	5 x 1.50mm <sup>2</sup> , 3 x 2.50mm <sup>2</sup> conductors, 2 x 4.00mm <sup>2</sup> or 1 x 6.0mm <sup>2</sup>
Cable Entry (Knockout):	4 x 20mm Ø (sides) 1 x 25mm Ø (rear)
Material Specification (moulded):	PA6, Halogen Free, UL94, V0, PC/ABS, UL94, V0
Ingress Protection:	IP2X
Operating Temperature Range:	-5°C / +40°C

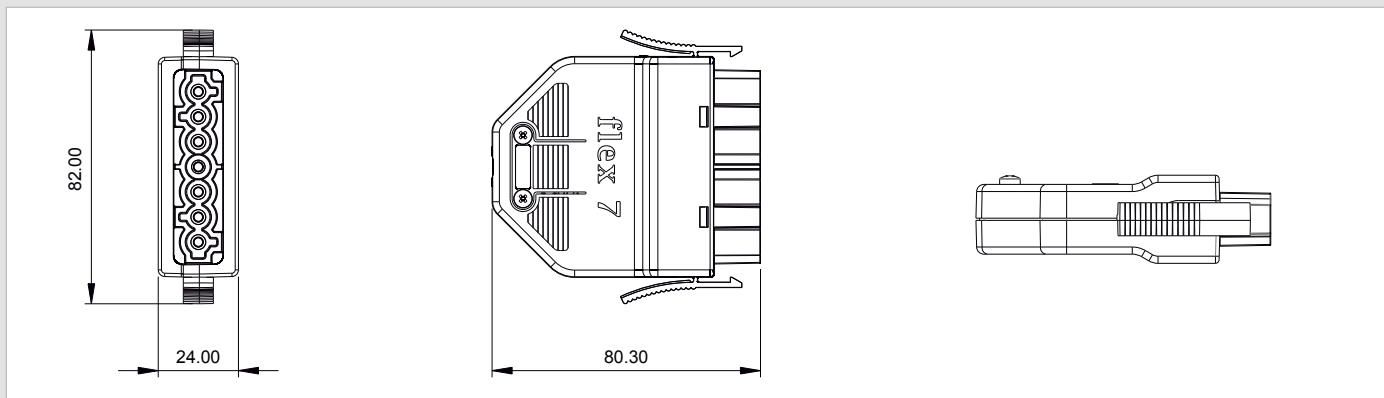
## FLEX7 Expansion & Tap-Off Distribution Box Dimensions



### FLEX7 Expansion & Tap-Off Distribution Box

Supply Voltage:	230V~
Current Rating:	16A
Frequency:	50Hz
Terminal Capacity (Socket):	N/A
Cable Entry (Knockout):	N/A
Material Specification (moulded):	PA6, Halogen Free, UL94, V0
Ingress Protection:	IP2X
Operating Temperature Range:	-5°C / +40°C

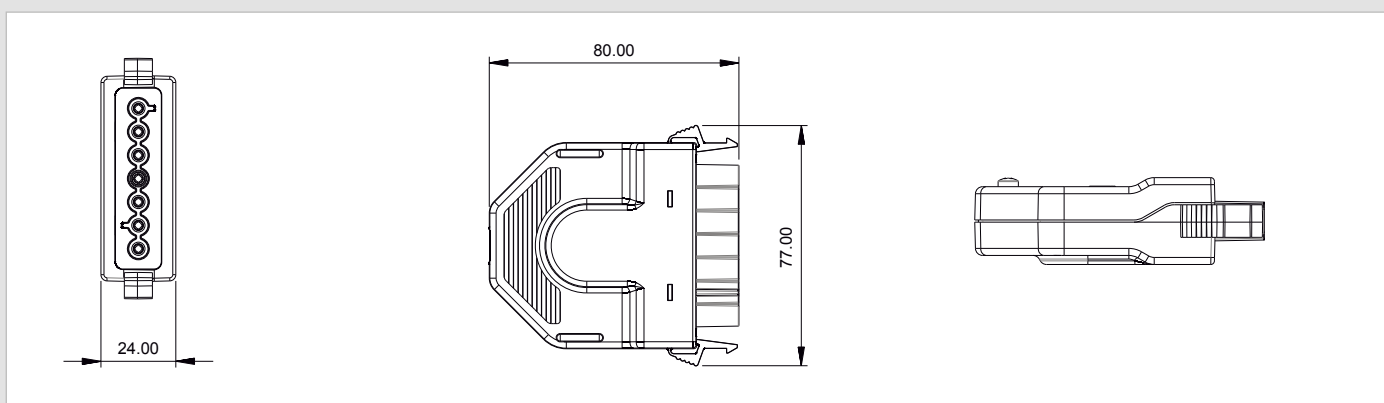
## FLEX7 Plug (cable mount) Dimensions



### FLEX7 Plug (cable mount)

Supply Voltage:	230V~
Current Rating:	16A
Frequency:	50Hz
Terminal Capacity:	0.50mm <sup>2</sup> to 2.50mm <sup>2</sup>
Cord Grip Capacity:	11.50mm <sup>2</sup> Ø
Material Specification (moulded):	PA6, Halogen Free, UL94, V0
Ingress Protection:	IP2X
Operating Temperature Range:	-5°C / +40°C

## FLEX7 Single Socket Outlet (cable mount) Dimensions

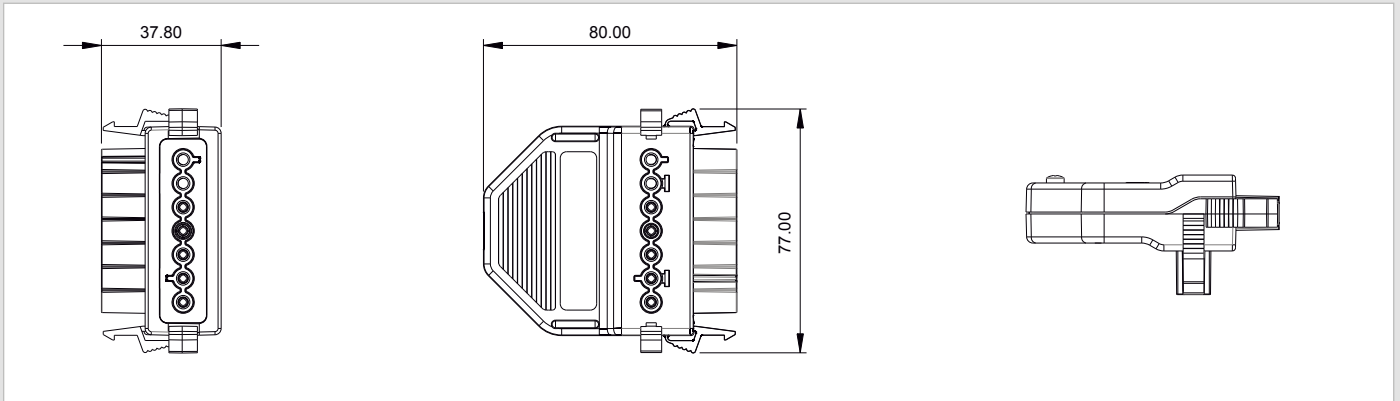


### FLEX7 Single Socket Outlet (cable mount)

Supply Voltage:	230V~
Current Rating:	16A
Frequency:	50Hz
Terminal Capacity:	0.50mm <sup>2</sup> to 2.50mm <sup>2</sup>
Cord Grip Capacity:	11.50mm <sup>2</sup> Ø
Material Specification (moulded):	PA6, Halogen Free, UL94, V0
Ingress Protection:	IP2X
Operating Temperature Range:	-5°C / +40°C

# Technical Information

## FLEX7 Double Socket Outlet (cable mount) Dimensions



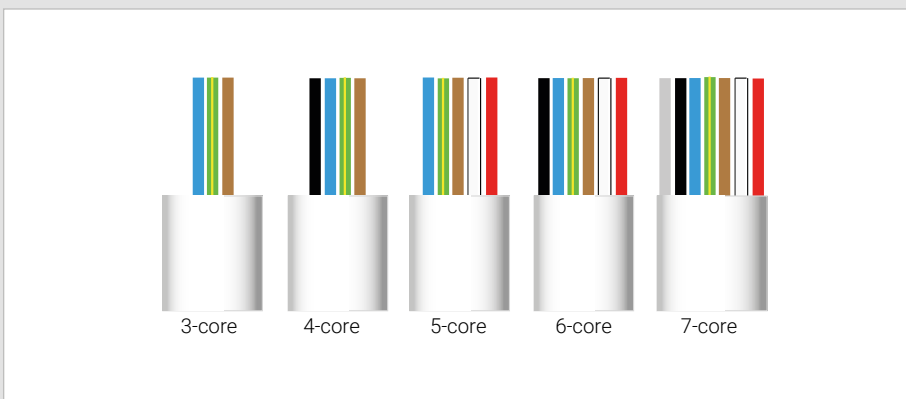
### FLEX7 Double Socket Outlet (cable mount)

Supply Voltage:	230V~
Current Rating:	16A
Frequency:	50Hz
Terminal Capacity:	0.50mm <sup>2</sup> to 2.50mm <sup>2</sup>
Cord Grip Capacity:	11.50mm <sup>2</sup> Ø
Material Specification (moulded):	PA6, Halogen Free, UL94, V0
Ingress Protection:	IP2X
Operating Temperature Range:	-5°C / +40°C

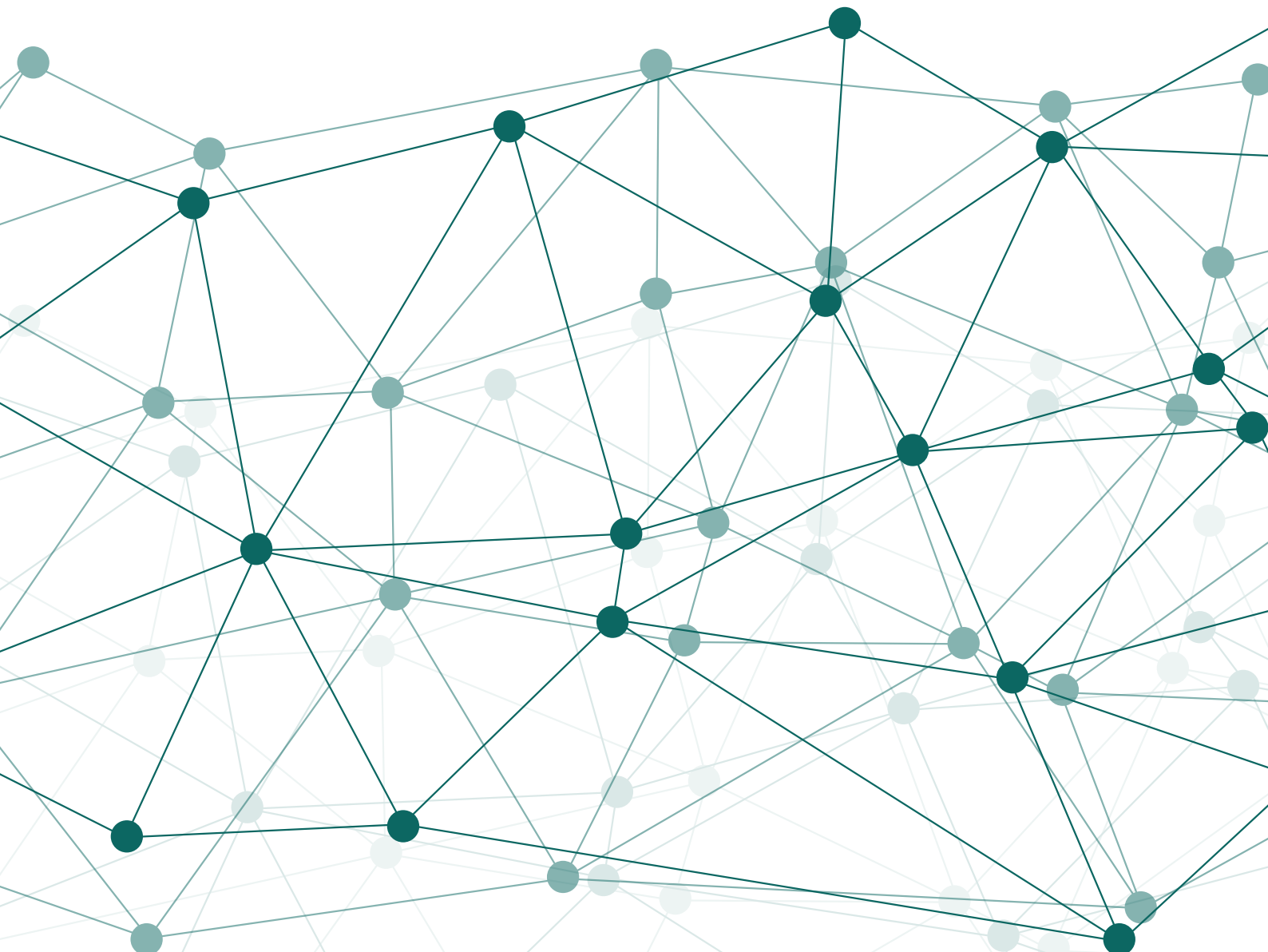
### Low Smoke Halogen Free (LSHF) Flexible Cable

Rated Voltage:	300V / 500V
Conductor Specification:	Class 5, Copper to EN 60228
Conductor Insulation:	Low Smoke Halogen Free (TI6)
Sheath/Jacket Insulation:	Low Smoke Halogen Free (TM7)
Conformance:	3-5 Core: BS EN 50525-3-11, H05Z1Z1-F 6-7 CORE: BS EN 50525-3-11 (construction, testing & performance although standard only caters for 3-5 core products), 05Z1Z1-F CPR (System 1+) - Cca s1a, d1, a1

## Low Smoke Halogen Free Cable Conductor Colours



# #MESH7



flex7 Ltd  
Ruscombe Business Park  
Ruscombe Lane  
Twyford  
Berks RG10 9JW  
Tel: 020 8580 1066  
[www.flex7.co.uk](http://www.flex7.co.uk)