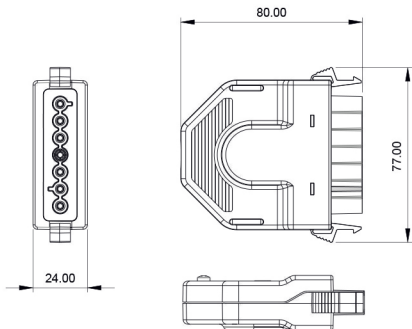


3,4 & 7-Pole Cable Mount Sockets



All measurements are in millimetres

Rating

Supply Voltage: 230V~ 16A

Tested to BS 5733

Conformity: LVD-2006/95/EC

Manufactured in black, red, or white PA6 UL94 V-0 rated.

Terminals accept single conductors from 0.50mm² to 4.00mm²

3 to 7 contacts per socket, each rated at 16 amps, using flex 7 socket format

Maximum cord grip size: 11.50mmØ

Leads in LSHF to BS EN 50525-3-11

(1.00mm² to 1.50mm² 3 to 7-cores)