

● Flush Panel Mount Sockets (3, 4 & 7-Pole)

Available in 3, 4 and 7-pole versions, Panel Mount Sockets enable the flex7 interface to be added to luminaires or other equipment, allowing flex7 leads to connect directly to and from the equipment.

Designed with a minimal thickness front plate and a strong snap fixing, the Panel Mount snaps into a rectangular hole in materials from 0.5mm – 1.5mm thick.

Panel Mount Sockets are supplied with screw terminals. However, they can easily be pre-wired with your required cables – contact us on 020 8580 1066 to discuss your requirements and obtain a quotation.



3-pole

3-Pole Panel Mount Socket

Typically for non-dimmable luminaires

1	
2	
Neut	...
3	
Earth	...
+	
Sw/L	...
4	
5	
6	

4-pole

4-Pole Panel Mount Socket

Typically for non-dimmable emergency luminaires

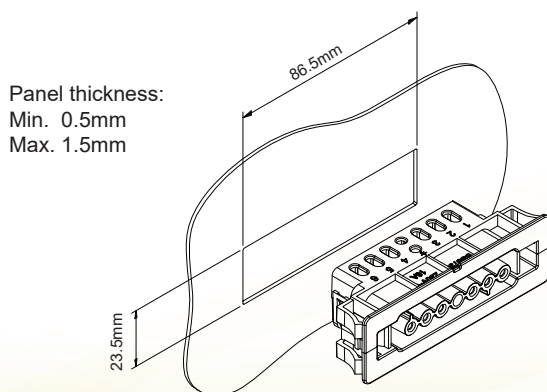
1	
Em/L	...
2	
Neut	...
3	
Earth	...
+	
Sw/L	...
4	
5	
6	

7-pole

7-Pole Panel Mount Socket

Typically for dimmable luminaires (emergency or non-emergency)

Aux/L	...
1	
Em/L	...
2	
Neut	...
3	
Earth	...
+	
Sw/L	...
4	
D2/-0v	...
5	
D1/+10v	...
6	



Key Features

- Rated 230V~ 16A
- Snaps into rectangular cut out 23.5mm x 86.5mm

[Technical details on page 57.](#)

Ordering flex7 Panel Mounted Sockets

03	3-pin
04	4-pin
07	7-pin

Panel mount socket fms /b