

● Flush Panel Mount Plugs (3, 4 & 7-Pin)

Available in 3, 4 and 7-pin versions, Panel Mount Plugs enable the flex7 interface to be added to luminaires or other equipment, allowing flex7 leads to connect directly to and from the equipment.

Designed with a minimal thickness front plate and a strong snap fixing, the Panel Mount snaps into a rectangular hole in materials from 0.5mm – 1.50mm thick.

Panel Mount Plugs are supplied with screw terminals. However, they can easily be pre-wired with your required cables – contact us on 020 8580 1066 to discuss your requirements and obtain a quotation.



3-pin Panel Mount Plug

Typically for non-dimmable luminaires

3-pin

1		
2		
Neut	...	3
Earth	...	4
Sw/L	...	5
6		

4-Pin Panel Mount Plug

Typically for non-dimmable emergency luminaires

4-pin

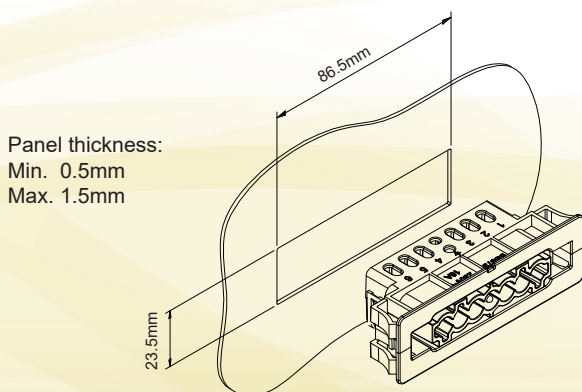
1		
Em/L	...	2
Neut	...	3
Earth	...	4
Sw/L	...	5
6		

7-Pin Panel Mount Plug

Typically for dimmable luminaires (emergency or non-emergency)

7-pin

Aux/L	...	1
Em/L	...	2
Neut	...	3
Earth	...	4
Sw/L	...	5
D2/-0v	...	6
D1/+10v	...	7



Key Features

- Rated 230V~ 16A
- Snaps into rectangular cut out 23.5mm x 86.5mm

[Technical details on page 57.](#)

Ordering flex7 Panel Mounted Plugs

03	3-pin
04	4-pin
07	7-pin

Panel mount plug fmp /b