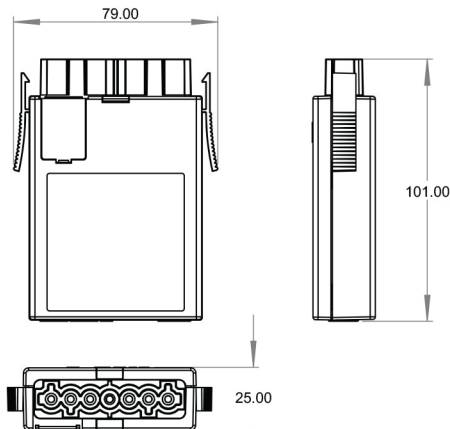


flex7 Control Devices



All measurements are in millimetres

Rating

Supply Voltage: Nominal 230V~ 50Hz, Class 2 device,

Max parasitic current: with sensor head 9mA, without sensor head 7.5mA

Manufactured in grey PA6 UL94 V-0 rated, Non-halogen

Conformity: LVD-2006/95/EC: EMC-2004/108/EC

Operating range: -10 to 40°C

Tested to **BS5733**

Relay device Load

Fluorescent & Incandescent Lighting :6A

Compact Fluorescent Lighting :3A

For dual relay devices maximum combined load not to exceed 10A

Maximum number of Ballast

DSI Digital control :25

DALI Digital control :25

Analogue 0-10V control :25