

flex7 PIR Sensor Head Range



Our PIR Sensor Heads are available in black or white, with occupancy/absence and light level sensing. The discreet head is a mere 40mm dia. requiring a 32mm dia. cut out in the ceiling. It has adjustable timeout and sensitivity settings, and detection range can be increased by up to 6 fold by adding extra sensor heads. All flex7 lighting controls operate at PELV (Protected extra low voltage).

PIR & Light Level Sensor Head



- ▶ Use for occupancy or absence with daylight dependency/linking. Once a target light level has been set, the Sensor Head will monitor ambient light and turn on/off or dim/brighten luminaires as required.
- ▶ The integral infra-red receiver accepts commands from either the Setup or User remote control. An LED provides indication of operation.
- ▶ Requires a Control Module and Sensor Lead to operate.

Auxiliary Sensor Head



- ▶ Use to increase the area of detection. Up to 5 Auxiliary Heads can be used in conjunction with 1 Primary Head, effectively increasing detection range by 6-fold. Ideal for use in corridors or large/irregular shaped rooms.
- ▶ Can be used with PIR or Microwave Sensors (excl. 230V version)
- ▶ Supplied with a 'Y' adaptor to allow plug-in connection of 2 Sensor Leads (in/out).
- ▶ Requires a Primary Sensor Head, Control Module and Sensor Lead to operate.

IP67 Sensor Heads



For use in external installations where protection from moisture is needed. Flush mount through a 34mm dia hole into the ceiling, bulkhead, canopy etc. Sensor head comes prewired with 5m lead.

Note: Control module is IP20 and must be installed in a dry location

Surface Mount Sensor Heads



Using the 2 x M4 screw supplied, fix directly to the BESA box with 50.8mm fixing centres in surface mount installations.

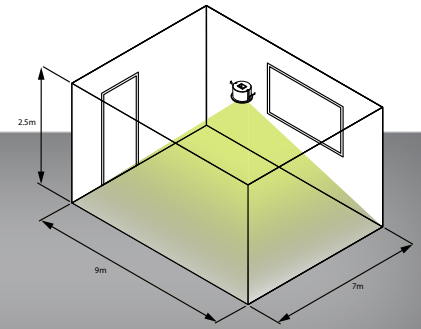
Tamper-Resistant Sensor Heads



Replace the M4 screws supplied with a Surface Mount Sensor Head with security type fixings and use it in installations where resilience to unsolicited attempts to remove or tamper is paramount; public areas, prisons, secure units etc.

PIR Detection Pattern

The PIR (Passive infrared) sensor detects moving bodies of heat that are different (warmer or cooler) to the background temperature. The detection pattern is broadly rectangular at 9m x 7m when fixed at a ceiling height of 2.5m (longest length of detection aligns with the spring clips).



Technical information

Supply Voltage: Via control module 12V DC
Manufactured in white PA6 UL94 V-0 rated, Non-halogen and black PA6 UL94 V-0 rated,
Operating range: -10 to 40°C
Sensor Range: 9.0m x 7.0m at 2.5m height

Ordering information

OCCUPANCY + LIGHT LEVEL SENSING HEADS

PART NO.

PIR & Light Level Sensor Head in white	FNH400
PIR & Light Level Sensor Head in black	FNH400/BK
Surface Mount/Tamper-resistant PIR & Light Level Sensor Head in white	FNH400/S
Surface Mount/Tamper-resistant PIR & Light Level Sensor Head in black	FNH400/S/BK
IP67 PIR & Light Level Sensor Head in white	FNH400/IP67
IP67 PIR & Light Level Sensor Head in black	FNH400/IP67/BK

AUXILIARY HEADS

PART NO.

PIR Auxiliary Sensor Head in white	FNH/AUX
PIR Auxiliary Sensor Head in black	FNH/AUX/BK
Surface Mount/Tamper-resistant PIR Auxiliary Sensor Head in white	FNH/AUX/S
Surface Mount/Tamper-resistant PIR Auxiliary Sensor Head in black	FNH/AUX/S/BK
IP67 PIR Auxiliary Sensor Head in white	FNH/AUX/IP67
IP67 PIR Auxiliary Sensor Head in black	FNH/AUX/IP67/BK