

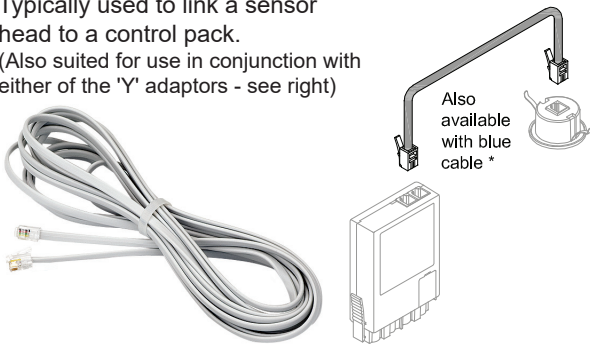
# ● Link & Switch Drop Leads

Whether linking sensor heads or switches to the Control Pack there is a complete range of different length leads to choose from. To avoid confusion, leads are colour coded grey for Sensor Head linking, and blue for Switch Drops and Switch Drop Adaptor linking. Remember that all flex7 controls operate at PELV (protected extra low voltage), so using our Switch Drops, unlike mains voltage switching, means that cables can be set at any depth within the wall, will not require enclosing in an earthed metallic covering nor will the circuit require the added protection of an RCD for that purpose. (see IET Wiring Regulations 17th Edition BS7671: 2008 incorporating Amendment No 1: 2011).



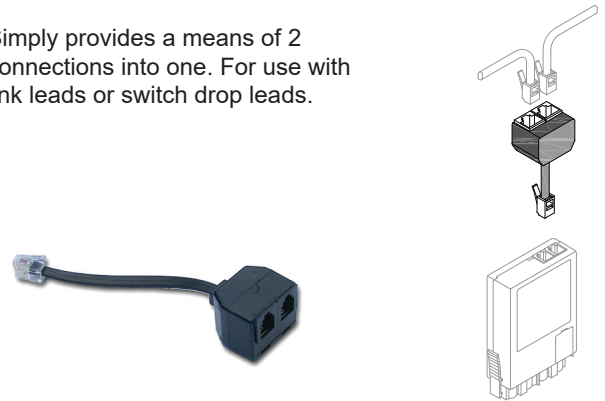
## Link Lead

Typically used to link a sensor head to a control pack.  
(Also suited for use in conjunction with either of the 'Y' adaptors - see right)



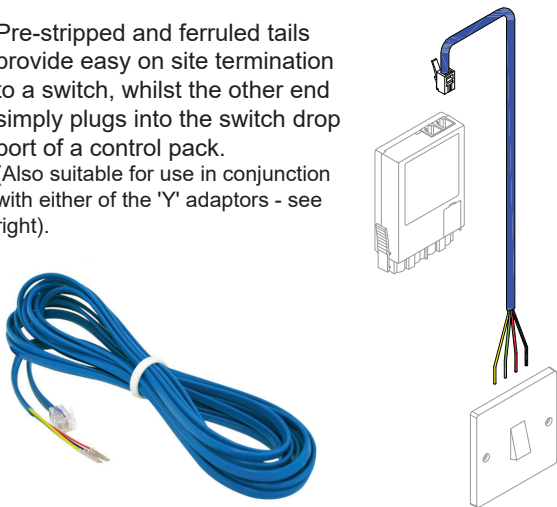
## 'Y' Adaptor

Simply provides a means of 2 connections into one. For use with link leads or switch drop leads.



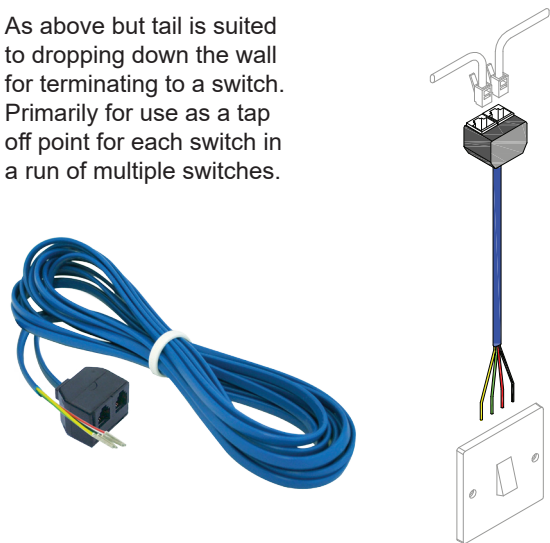
## Switch Drop Leads

Pre-stripped and ferruled tails provide easy on site termination to a switch, whilst the other end simply plugs into the switch drop port of a control pack.  
(Also suitable for use in conjunction with either of the 'Y' adaptors - see right).



## Switch Drop 'Y' Adaptor

As above but tail is suited to dropping down the wall for terminating to a switch. Primarily for use as a tap off point for each switch in a run of multiple switches.



## Ordering flex7 Link Leads & Switch Drop Leads

05	5 metres		
10	10 metres		
15	15 metres		
20	20 metres		
30	30 metres		
40	40 metres		
50	50 metres		

leave blank for pvc or add /lshf for low smoke halogen free cable

leave blank or add /bl for link leads in blue.

Link lead **fsl**    (Grey cable)

Switch drop lead **fsw**   (Blue cable)

## Ordering flex7 'Y' Adaptors

'Y' adaptor **fsy/a**

02	2 metres
03	3 metres

Switch drop 'Y' adaptor **fswy**  (blue cable)